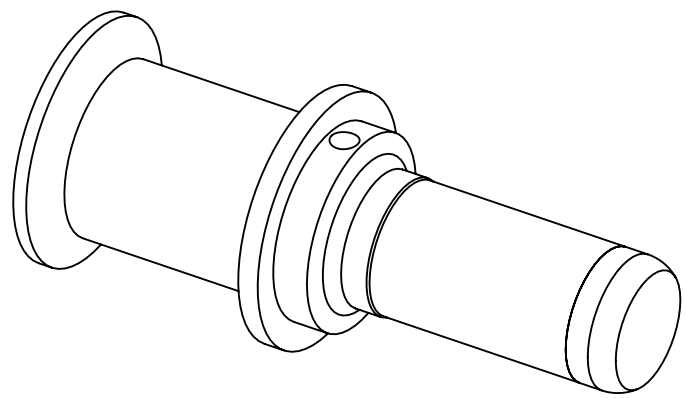



assembly notes see catalog
 crimp zone acc. to DIN EN 46235; indicator 12
 for stranded fine wire acc. to VDE 0295 class 5/ IEC 60228 class 5
 wire gauge: 35mm²
 stripping length: 20mm



	All rights reserved Department EL PD	All Dimensions in mm Original Size DIN A4		Scale 2:1	Free size tol.		Ref.		
		Created by HELLMANN		Inspected by NICHTERLEIN		Standardisation SAP_WFRT		Date 2022-10-12	
HARTING D-32339 Espelkamp		Title Han TC200 M-contact 35mm ² protected						State Final Release	
		Type TB		Number 09 11 000 7121				Doc-Key / ECM-Nr. 100576205/UGD/000/B 500000224980	
						Rev. B		Page 1/1	