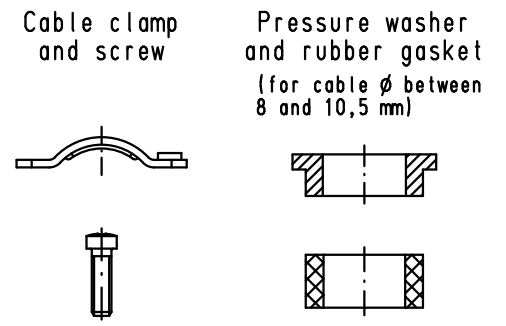


Not mounted parts :



Mounting instructions:

- The peeled back cable braiding must not extend over the cable clamp, in order not to damage the gasket or to impair its performance

- Pull back cable until cable clamp snaps into shielding plate
- Snap connector into hood

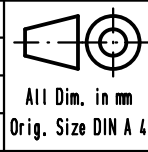
Stripping dimensions:

Scale: 0,5:1

-For rear mounted mating connectors, panel thickness is comprised between 1 and 2 mm for safe contact area
-Max. torques are 0,4 N.m

09 67 025 0439	M3
09 67 025 0438	4-40 UNC
Part number	Mounting screw thread

			Dot.	Name
			Detail.	23/07/08 PK
			Insp.	28/10/11 JB
EC03999	28/10/11	SD	Stand.	
	35427	15/12/08		PK
	35091	23/07/08		PK
Mod.	Dot.	Name	HARTING EURL F-95972 Paris	



D-Sub, black plastic hood, waterproof IP67, 25 poles, top cable entry with nut

TB 09 67 025 043X

Maßstab/
Scale
1:1
Blatt/ Page
1/1