

## Combination wall mounting socket outlet - with terminals but without wiring



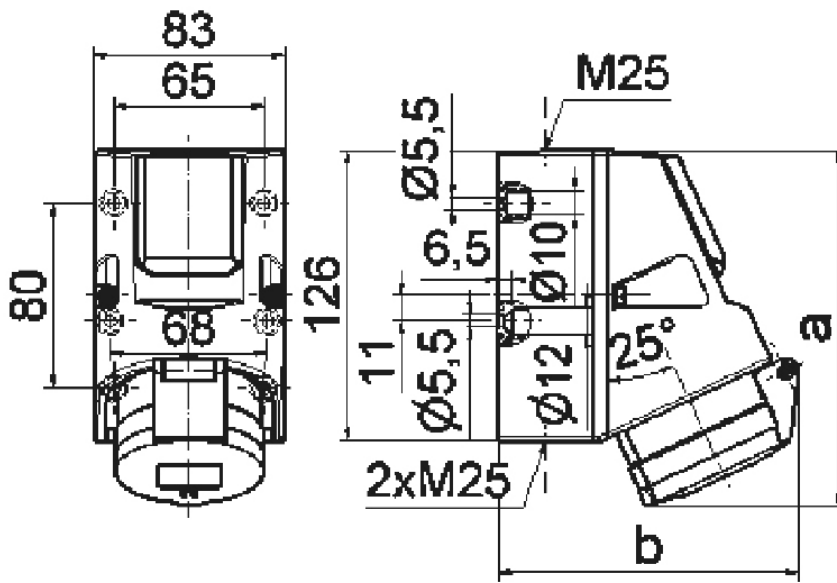
Product description	
BALS-Prd.-Nr	107
EAN	4024941001076
Product category	Combined wall mounting socket outlet
Current	16A
Number of poles	5p
Poles	5p
Position of earth contact	6 h
Voltage	200/346 up to 240/415V

Product description	
Frequency	50 and 60Hz
Protection degree	IP44
Colour code	red RAL 3000
Colour of appliance	Hinged lid of domestic socket is blue RAL 5015, Hinged lid red RAL 3000, Housing bottom grey RAL 7035, Housing top grey RAL 7035, Collar grey RAL 7035
Connection design	with screw terminal
Maximum conductor size	4,0 qmm
Cable entry	M25
Height	154mm
Width	83mm
Depth	130mm
Dimension of enclosure	126x83 mm (HxW)
Material of enclosure	Polyamide
Contact	The contacts are brass

Additional technical properties	
	With integrated Schuko-type socket outlet 16A 230V AC German standard

Logistics data	
Weight/pcs	0.438 kg / Piece
Packaging	Bag

Logistics data	
Content amount	1 ST
EAN	4024941001076
Length	130 mm
Width	83 mm
Height	154 mm
Weight	0.439 kg
Volume	1,661.66 ccm
Packaging	Carton
Content amount	10 ST
EAN	4024941827836
Length	330 mm
Width	216 mm
Height	260 mm
Weight	4.606 kg
Volume	17,062.5 ccm



	16A		32A	
	4p	5p	4p	5p
a	154	155	156	157
b	127	130	130	136

## 1 MB 17