

Frame Han 24HPR EasyCon Short PE-Mod-a-h

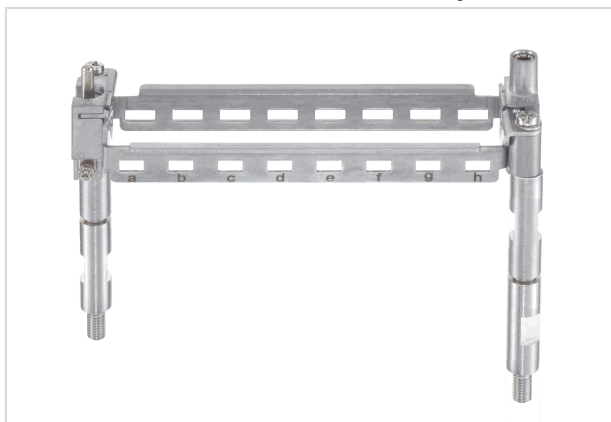


Image is for illustration purposes only. Please refer to product description.

Part number	09 40 024 9936
Specification	Frame Han 24HPR EasyCon Short PE-Mod-a-h
HARTING eCatalogue	https://b2b.harting.com/09400249936

Identification

Category	Accessories
Series of hoods/housings	Han [®] HPR EasyCon
Type of accessory	Frame
Description of the accessory	for up to 8 single modules
	a ... h
	Low construction

Version

Size	24 B
Details	ATTENTION! Only to be used with Han [®] 24 HPR EasyCon Short hoods and housings!
Pack contents	1x male PE adapter
	1x female PE adapter
	2x M4/M5 distance bolts (A/F 7)
	2x M5/M6 distance bolts (A/F 7)
	2x M3 screw
	2x M4 screw
	2x washer SK S4

Technical characteristics

Conductor cross-section	4 ... 10 mm ² PE terminal power side
	1 ... 2.5 mm ² PE terminal signal side
Tightening torque	0.5 Nm Fixing screws M3
	1.5 Nm Fixing screws M4
	6 Nm Distance bolt
	0.8 Nm PE terminal clamp 1 ... 2.5 mm ²
	1.5 Nm PE terminal clamp 4 ... 10 mm ²
Limiting temperature	-40 ... +125 °C



Pushing Performance
Since 1945

Technical characteristics

Mating cycles ≥ 500

Material properties

Material (accessories)	Zinc die-cast Stainless steel
------------------------	----------------------------------

Commercial data

Packaging size	1
Net weight	0.01 g
Country of origin	China
European customs tariff number	85389099
GTIN	5713140194489
eCl@ss	27440210 Fixing element for industrial connectors
