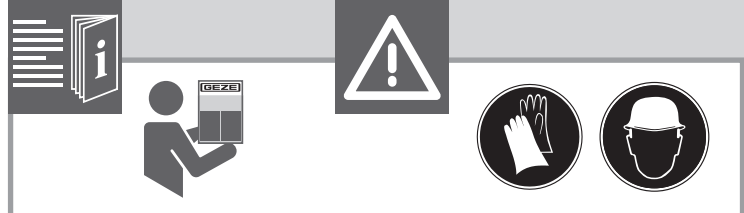
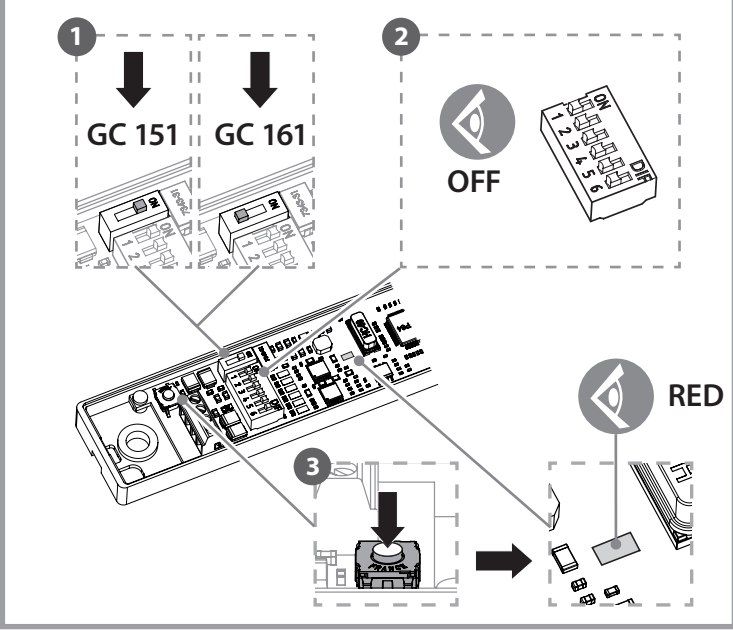
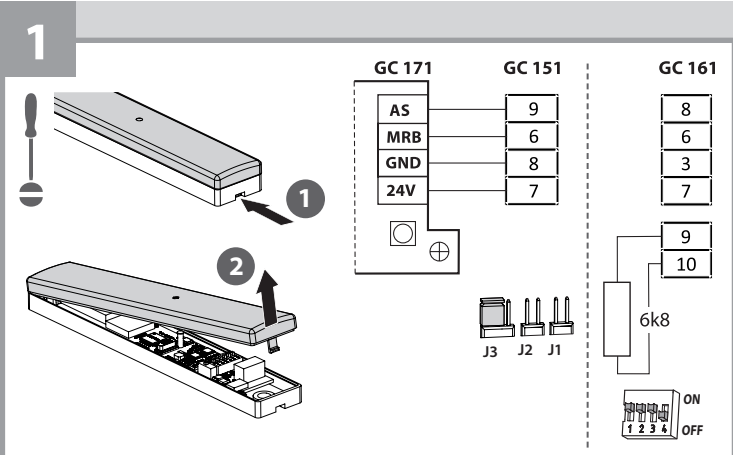


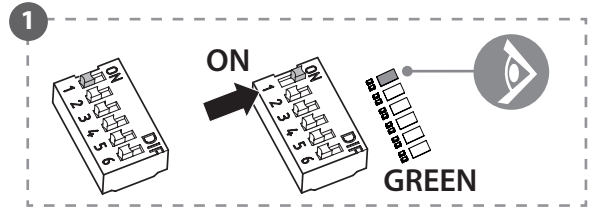
GC 171
Quick Guide



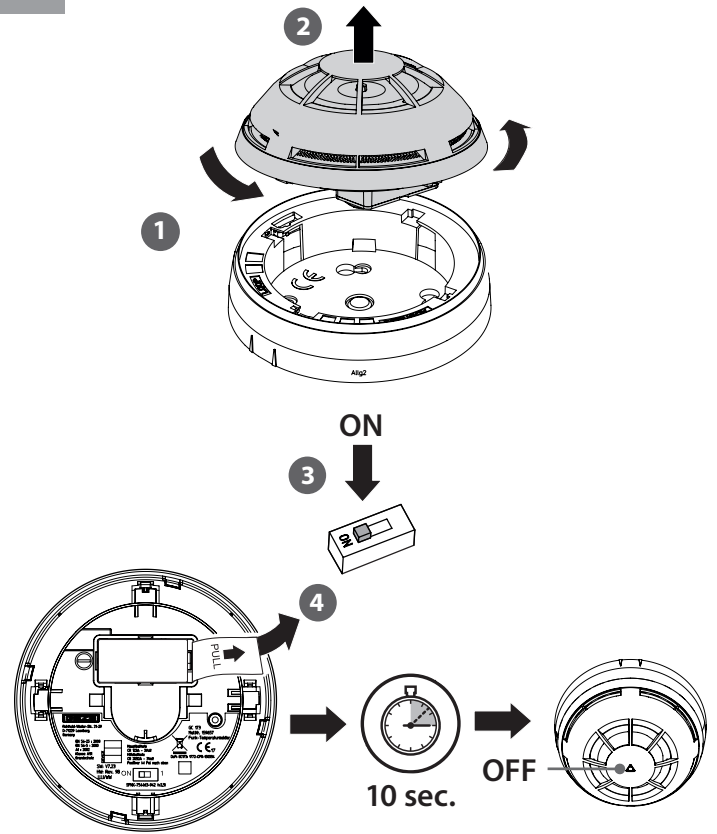
182944-00



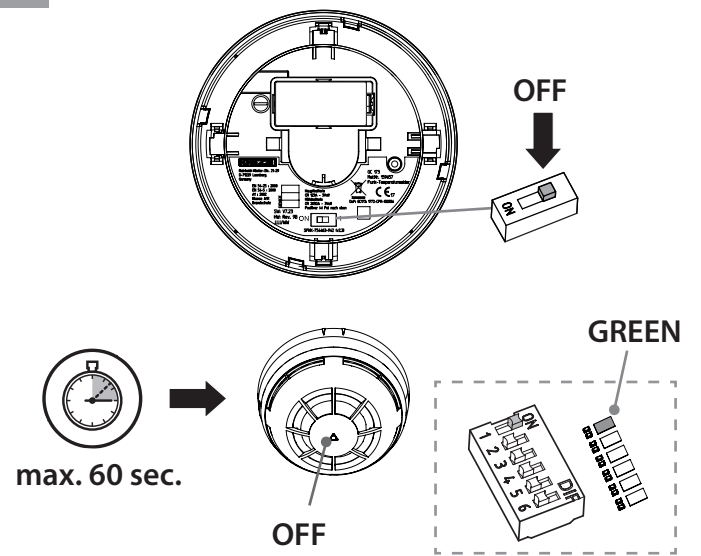
2a



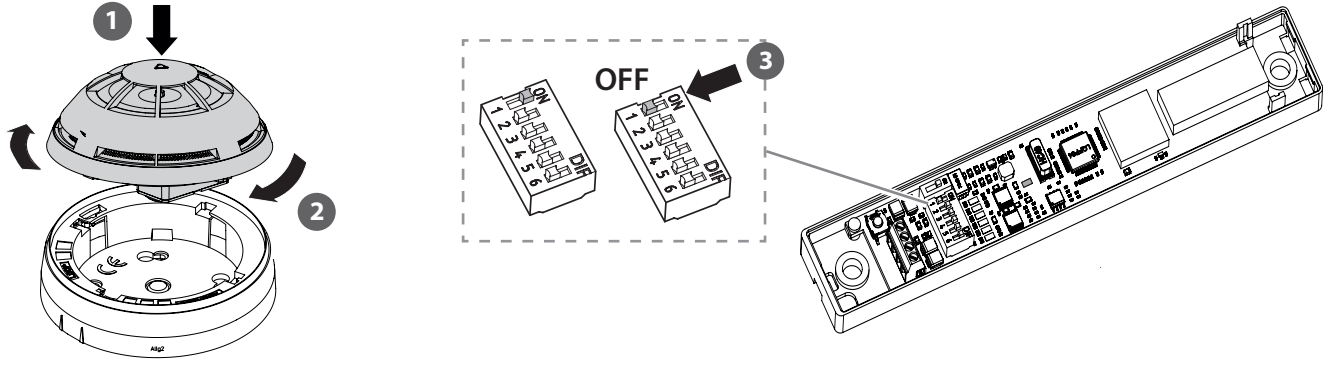
2b



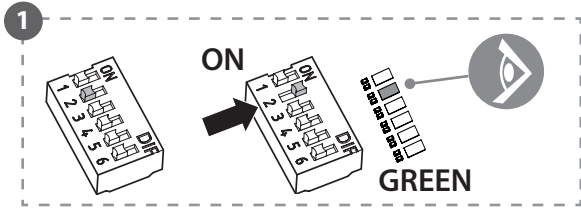
2c



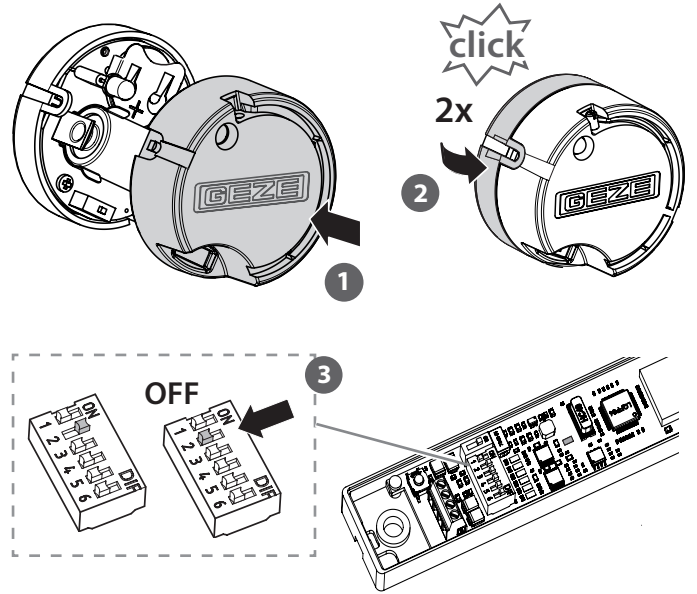
2d



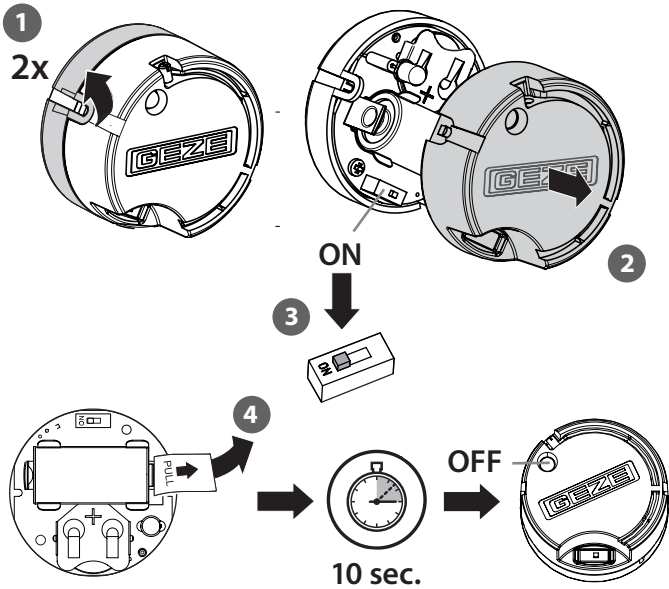
3a



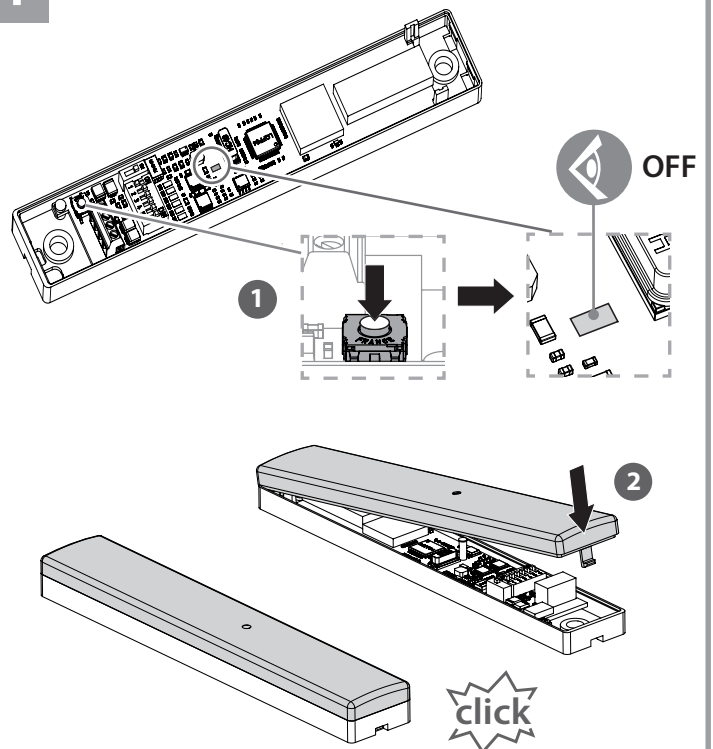
3d



3b



4



3c

