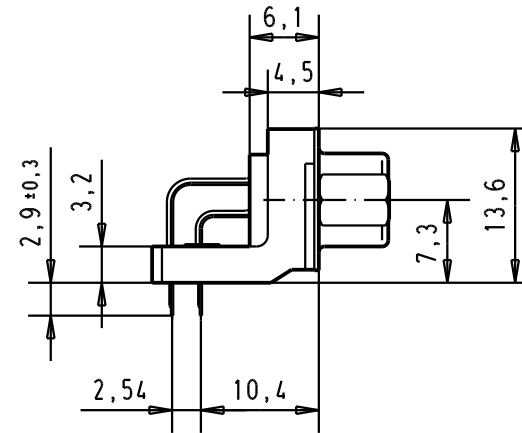
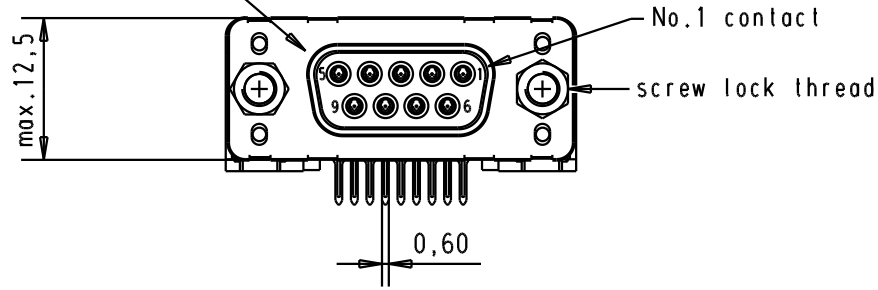
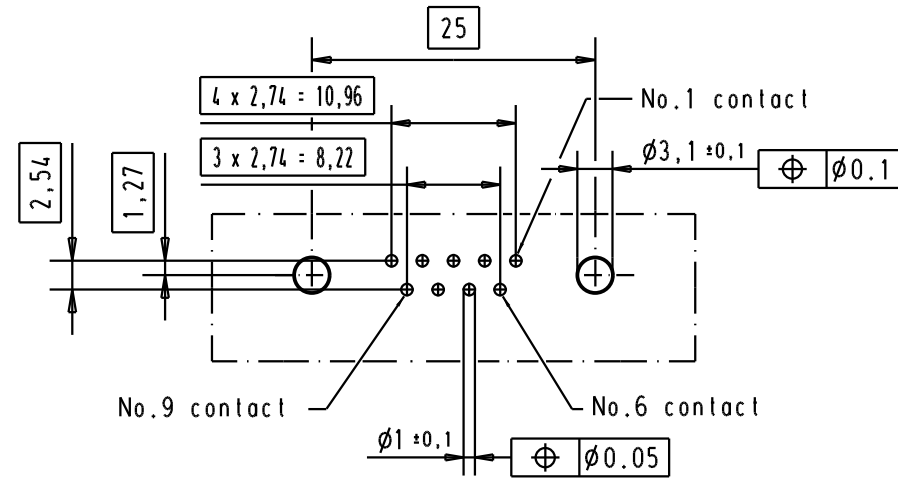
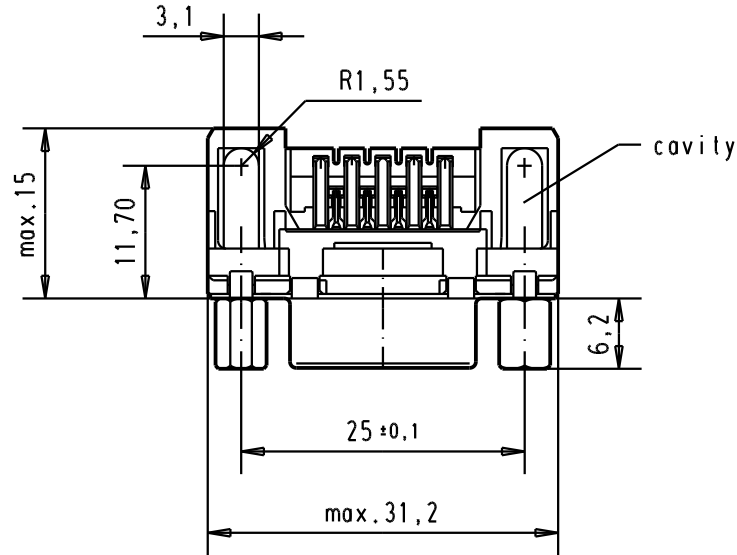




Mating face according to : MIL-C-24308 / DIN 41652 / CECC 75301-802



Printed board layout component side



| A | | | | | | | DoI. | Name |  All Dim. in mm Orig. Size DIN A 4 | D-Sub 09 poles standard angle female, solder pin with screw lock and hole | Maßstab/ Scale 1.5:1 |
|---|----------------|-------------------|-------------------|-------|-----------|---------|-------------------------------|---------|---|---|----------------------------|
| | | | | | | | Detail. | ALSPACE | | | |
| | | | | | | | | | | | |
| | | | | | | | Insp. | | | | |
| | | | | | | | Stand. | | | | |
| | 09 66 112 3603 | 4-40 UNC | 1 | 31892 | 05/05/04 | JH | HARTING EURL F-95972 Paris | |  | TB 0966112x60x | Blatt/ Page 3 |
| | 09 66 112 6603 | 4-40 UNC | 2 | 29773 | 18-APR-02 | CV | | | | | |
| | 09 66 112 7603 | 4-40 UNC | 3 | 27960 | 27/nov/00 | ALSPACE | | | | | |
| | Part number | Screw lock thread | Performance level | Mod. | DoI. | Name | | | | Sub. | |