

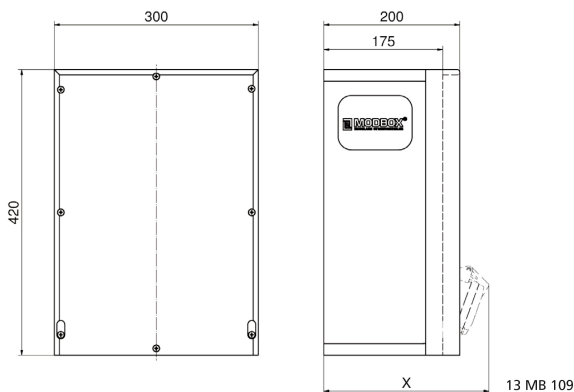
## Surface-mounting distributor, rubber - MODBOX



| Product description |   |
|---------------------|---|
| BALS-Prd.-Nr        | 5402044   |
| EAN                 | 4024941948661   |
| Product category    | MODBOX  |
| Protection degree   | IP44  |
| Colour of appliance | Housing bottom similar black RAL 9017, Housing top similar black RAL 9017 |
| Height              | 420mm   |
| Width               | 300mm   |
| Depth               | 175mm   |
| RDF factor          | 0.64  |

| Product description |    |
|---------------------|----|
| Nominal current InA | 63 |

| Logistics data |                   |
|----------------|-------------------|
| Weight/pcs     | 14.622 kg / Piece |
| Packaging      | Carton            |
| Content amount | 1 ST              |
| EAN            | 4024941948661     |
| Length         | 320 mm            |
| Width          | 346 mm            |
| Height         | 511 mm            |
| Weight         | 15.332 kg         |
| Volume         | 56,577.92 ccm     |



Tiefenmaß/ depth X (mm)

| Bezeichnung/ with                  | IP44 | IP67 |
|------------------------------------|------|------|
| Schutzk. Steckdose/domestic socket | 192  | 235  |
| CEE 16A 3p                         | 230  | 230  |
| CEE 16A 4p                         | 234  | 232  |
| CEE 16A 5p                         | 237  | 235  |
| CEE 32A 3p/4p                      | 241  | 243  |
| CEE 32A 5p                         | 243  | 244  |
| CEE 63A 3p/4p/5p                   | 259  | 261  |