

## Connector TN - with cable gland, with bayonet cover

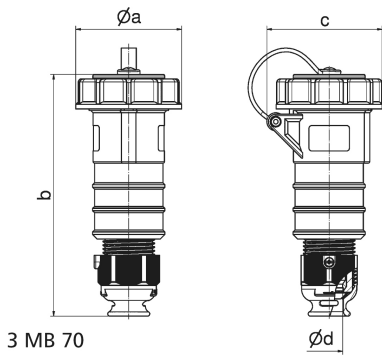


Product description	
BALS-Prd.-Nr	31032
EAN	4024941310321
Product category	Connector QUICK-CONNECT TN
Current	32A
Number of poles	3p
Arrangement of phases	2P+PE
Position of earth contact	6 h
Voltage	200 - 250V~
Frequency	50/60Hz

Product description	
VG-type-no.:	VG 96919 DS 042
Supply no.:	5935-12-306-7162
Protection degree	IP67
Colour code	bronze-green RAL 6031-F9
Colour of appliance	Cable gland bronze-green RAL 6031-F9, Bayonet ring bronze-green RAL 6031-F9, Hinged lid bronze-green RAL 6031-F9, Enclosure bronze-green RAL 6031-F9
Connection design	screwless spring terminals as cage clamp with Kontex-contact
Maximum conductor size	6,0 qmm
Cable entry	Cable gland
Height	200mm
Width	94mm
Depth	96.5mm
Material of enclosure	Polyamide
Contacts	The contact carrier is made of high temperature resistant material, the contacts are brass nickel plated

Additional technical properties	
	For cable diameter from 11 up to max. 23,5 mm, Multi-Grip cable gland with gasket, integrated cable clamp and additional water evacuation openings
	With bayonet cover on strap

Logistics data	
Weight/pcs	0.328 kg / Piece
Packaging	Bag
Content amount	1 ST
EAN	4024941310321
Length	96.5 mm
Width	94 mm
Height	200 mm
Weight	0.329 kg
Volume	1,814.2 ccm
Packaging	Carton
Content amount	10 ST
EAN	4024941967969
Length	325 mm
Width	217 mm
Height	210 mm
Weight	3.486 kg
Volume	13,588.4 ccm



3 MB 70

Ampere	16	16	16	32	32	32
Polzahl	3	4	5	3	4	5
a $\varnothing$	70,5	78,0	86,5	94,0	94,0	101,5
b	161,0	161,0	168,0	196,0	196,0	200,0
c	77,0	83,0	93,0	99,0	99,0	107,0
d $\varnothing$	18,0	18,0	21,0	23,0	23,0	27,0
Leiter mm <sup>2</sup> min	1,0	1,0	1,0	2,5	2,5	2,5
Leiter mm <sup>2</sup> max	2,5	2,5	2,5	6,0	6,0	6,0