

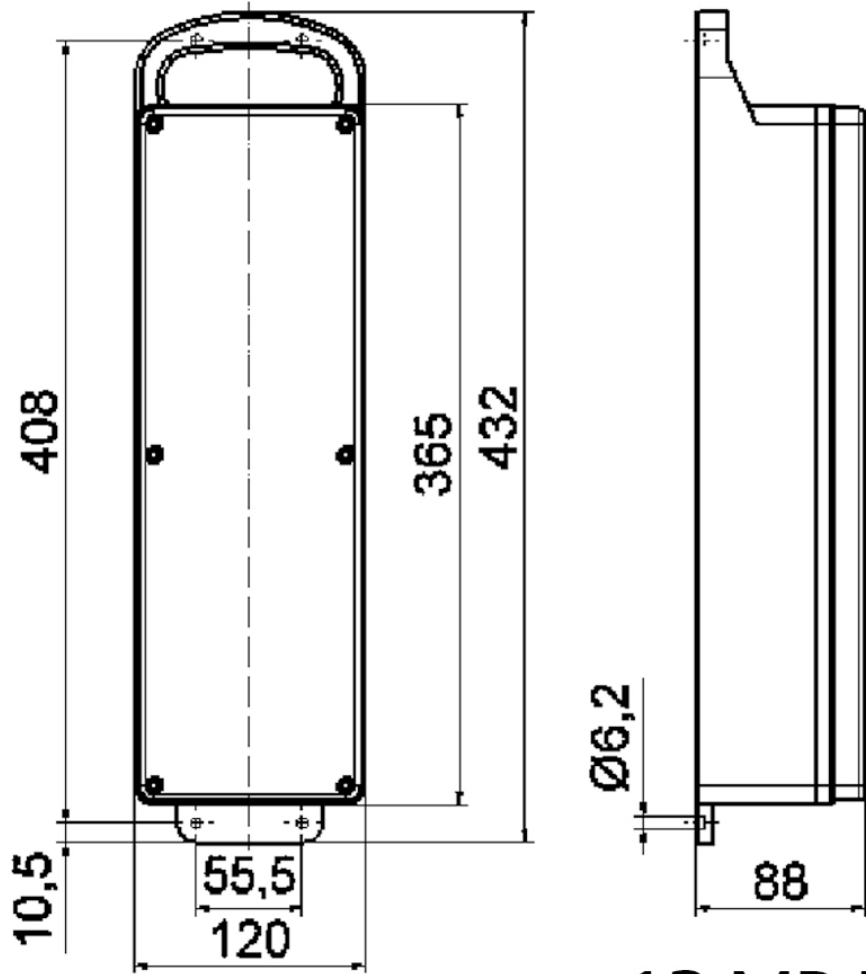
## Portable distributor compact, rubber - Distributor, solid rubber



| Product description |   |
|---------------------|---|
| BALS-Prd.-Nr        | 5350  |
| EAN                 | 4024941194211   |
| Product category    | Distributor, solid rubber   |
| Protection degree   | IP44  |
| Colour of appliance | Housing bottom similar black RAL 9017, Housing top similar black RAL 9017 |
| Height              | 88mm  |
| Width               | 365mm   |
| Depth               | 120mm   |

| Logistics data |                  |
|----------------|------------------|
| Weight/pcs     | 2.996 kg / Piece |
| Packaging      | Carton           |
| Content amount | 1 ST             |
| EAN            | 4024941194211    |
| Length         | 560 mm           |
| Width          | 215 mm           |
| Height         | 260 mm           |
| Weight         | 3.458 kg         |
| Volume         | 26,400 ccm       |

| Metal surcharges            |                           |
|-----------------------------|---------------------------|
| Surcharge type              | Kupfer                    |
| Materialbase                | 150 EUR per 100 Kilogram  |
| Included weight of material | 0.15 Kilogram per 1 Piece |



13 MB 7