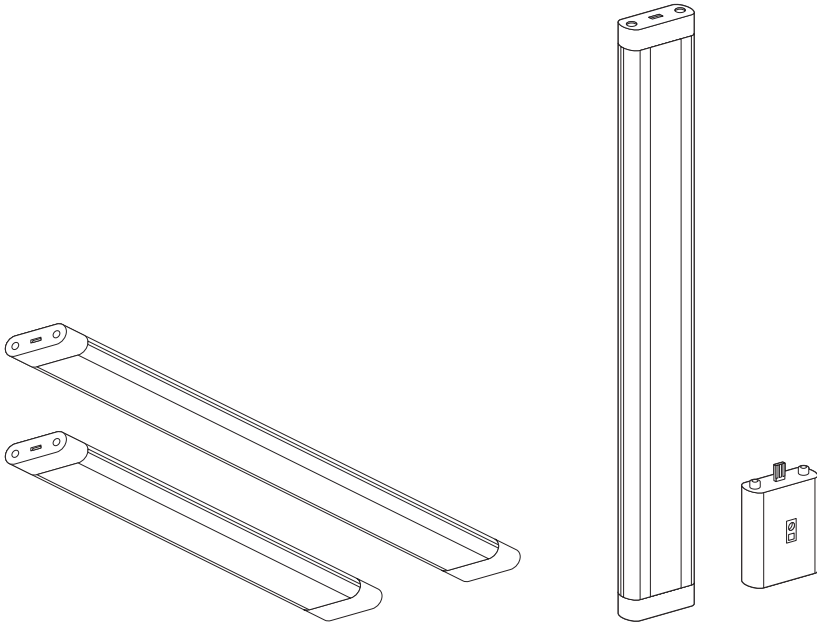


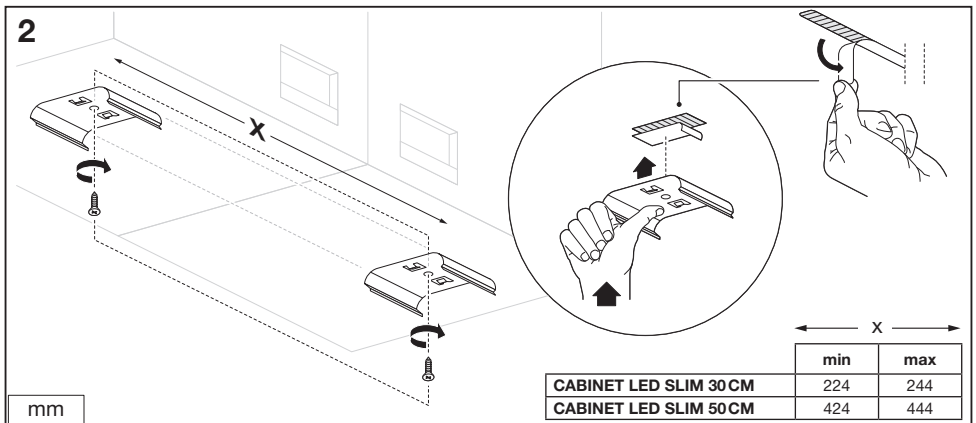
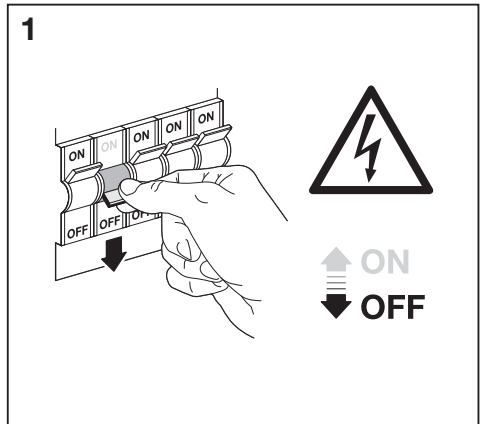
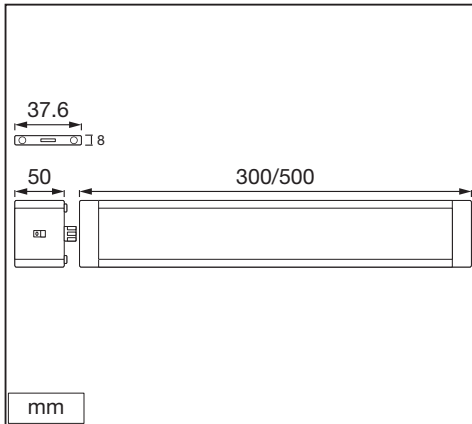
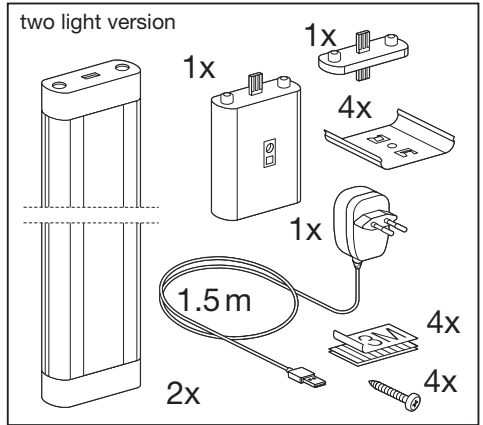
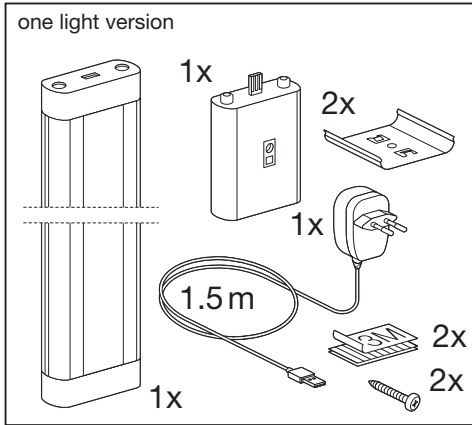
## CABINET LED SLIM

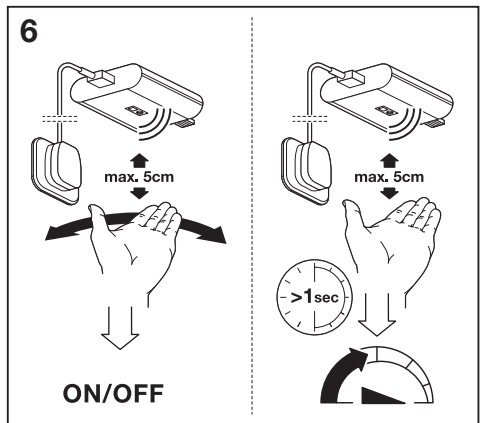
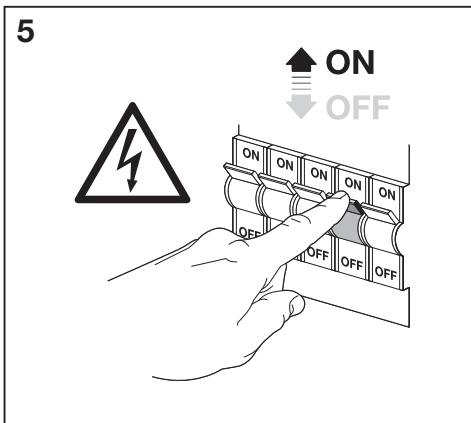
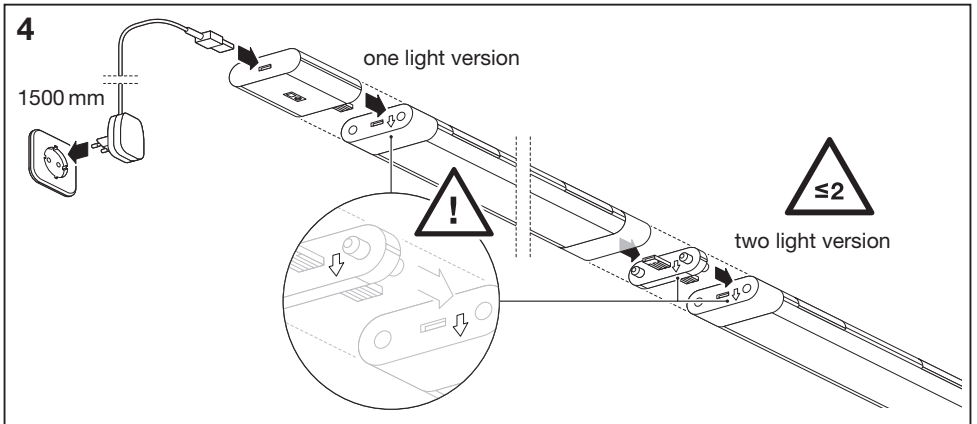
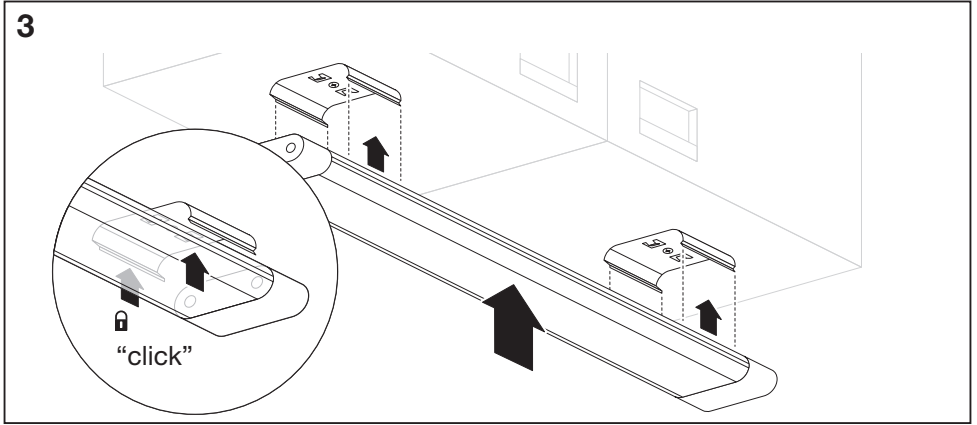
### LOW-VOLTAGE UNDER CABINET LUMINAIRES







	EAN	W	lm Light Source	lm Output	K	Temp (°C)	V~	mA	Hz	PF	∠(°)	📄	👤 kg
<b>CABINET LED SLIM 30 CM</b>	4058075227699	6	480	250	3000	-20...+40	220-240	40	50/60	>0.5	110	100000	0.2
<b>CABINET LED SLIM 30 CM TWO LIGHT</b>	4058075227712	11	960	530	3000	-20...+40	220-240	110	50/60	>0.5	110	100000	0.3
<b>CABINET LED SLIM 50 CM</b>	4058075268364	10	810	470	3000	-20...+40	220-240	100	50/60	>0.5	110	100000	0.3
<b>CABINET LED SLIM 50 CM TWO LIGHT</b>	4058075227736	18	1620	980	3000	-20...+40	220-240	180	50/60	>0.5	110	100000	0.5

**CABINET LED SLIM**





	EAN	This product contains a light source of energy efficiency class	Contained Light Source
CABINET LED SLIM 30 CM	4058075227699	F	
CABINET LED SLIM 30 CM TWO LIGHT	4058075227712	F	
CABINET LED SLIM 50 CM	4058075268364	F	
CABINET LED SLIM 50 CM TWO LIGHT	4058075227736	F	



Points de collecte sur [www.quefairedemesdechets.fr](http://www.quefairedemesdechets.fr)

C10449057  
G11145060  
13.06.2022



LEDVANCE GmbH  
Steinerne Furt 62  
86167 Augsburg, Germany  
[www.ledvance.com](http://www.ledvance.com)