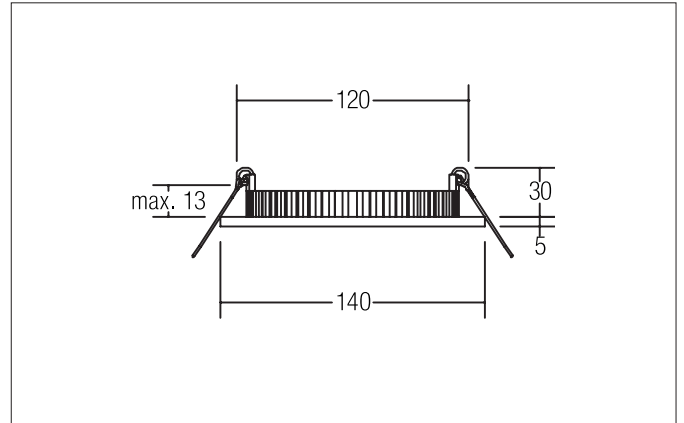


FLAT30 LED recessed panel

Article no. 12215074

Light.
For Generations.**Tender**

LED recessed panel, Round. Toolless ceiling installation by installation springs. Ceiling cut-out Ø 120 mm, Installation depth 30 mm, Outer diameter 140 mm, Weight 0,182 kg, with rotationssymmetrical, deep, wide distributed light intensity. optimal light distribution due to a plastic, opal cover. Luminous flux 600 lm, Power 1 x 10 W, System Efficiency 60 lm/W, Light colour neutral white, Correlated color temperature (CCT) 4.000 K, Colour rendering index CRI > 80, Housing material: Aluminium / Plastic, Colour: White, Permissible ambient temperature (ta): -20 °C - +25 °C, Protection class (EN 61140): III, Degree of protection (DIN EN 60529): IP20. For connection to an external driver, which is not included in the scope of delivery of the luminaire. Depending on driver dimmable.

| Article data | |
|--------------------|---------------------|
| Article no. | 12215074 |
| GTIN | 4251433916284 |
| Series name | FLAT30 |
| Short description | LED recessed panel |
| Material | Aluminium / Plastic |
| Colour | White |
| Type of surface | Matt |
| Shape | Round |
| Outer diameter | 140 mm |
| Built-in diameter | 120 mm |
| Installation depth | 30 mm |
| Height | 5 mm |
| Weight | 0.182 kg |

FLAT30 LED recessed panel

Article no. 12215074

Light.
For Generations.

| Lighting technology | |
|---------------------|-----------|
| Colour temperature | 4.000 K |
| Light colour | White |
| Light output | Direct |
| Luminous flux | 700 lm |
| System efficiency | 70 lm/W |
| Colour rendering | CRI > 85 |
| Reflector | Without |
| Beam angle | 120° |
| Light sharing | Symmetric |

| Operating technology of the luminaire | |
|---------------------------------------|--|
| System output | 10 W |
| Voltage type | DC |
| DC nominal voltage max | 24 V |
| Lamp | LED |
| Protection class | III |
| Degree of protection | IP20 |
| Dimmable | Yes |
| Control | Depending on driver |
| Bulb change possible | The light source of this luminaire may only be replaced by the manufacturer or a service technician commissioned by him or a similarly qualified person. |

| Mounting technology | |
|------------------------|---|
| Mounting method | Recessed mounting |
| Place of installation | Ceiling-mounted |
| Adjustability | Not adjustable |
| Max. ceiling thickness | 13 mm |
| Further references | No cover with thermal insulation material |
| Material cover | Plastic, opal |

| Packing data | |
|-------------------------|---|
| Gross weight | 0.308 kg |
| Length of packaging | 180 mm |
| Packaging width | 175 mm |
| Packaging height | 60 mm |
| Disposal at end of life | This product must not be disposed of with household waste. You are obliged, to dispose of such electrical waste separately. By disposing of electrical waste and other old or defective electronics separately, you support recycling or other forms of re-use. In that way you help to take care and to avoid that harmful substances get into the environment. |

FLAT30 LED recessed panel

Article no. 12215074





Light.
For Generations.

| Accessories | |
|---|--|
|  | Article no.: 17206000 LED power supply 24 V DC, 1-10 V dimmable (analog) Power: 1 - 20 W Dimensions: 145 mm x 55 mm x 19 mm |
|  | Article no.: 17207000 LED power supply 24 V DC, on/off switchable Power: 1 - 30 W Dimensions: 160 mm x 50 mm x 22 mm |
|  | Article no.: 17223000 LED power supply 24 V DC, on/off switchable Power: 1 - 75 W Dimensions: 185 mm x 60 mm x 31 mm |
|  | Article no.: 17224000 LED power supply 24 V DC, on/off switchable Power: 1 - 100 W Dimensions: 199 mm x 63 mm x 36 mm |
|  | Article no.: 17225000 LED power supply 24 V DC, on/off switchable Power: 1 - 150 W Dimensions: 219 mm x 63 mm x 36 mm |
|  | Article no.: 17226000 LED power supply 24V DC, on/off switchable Power: 1 - 240 W Dimensions: 244 mm x 71 mm x 38 mm |
|  | Article no.: 17240000 LED power supply 24 V DC, on/off switchable Leistung: 20 W Dimensions: 150 mm x 40 mm x 30 mm |
|  | Article no.: 17241000 LED power supply 24 V DC, on/off switchable Leistung: 40 W Dimensions: 210 mm x 40 mm x 30 mm |
|  | Article no.: 17242000 LED power supply 24 V DC, on/off switchable Leistung: 60 W Dimensions: 250 mm x 40 mm x 30 mm |
|  | Article no.: 17243000 LED power supply 24 V DC, on/off switchable Leistung: 120 W Dimensions: 300 mm x 40 mm x 30 mm |

FLAT30 LED recessed panel

Article no. 12215074

Light.
For Generations.

| Accessories | |
|---|---|
|  | <p>Article no.: 17244000 LED power supply 24 V DC, on/off switchable Leistung: 150 W Dimensions: 310 mm x 40 mm x 30 mm</p> |
|  | <p>Article no.: 17230000 LED power supply 24 V DC, dimmable Power: 5 - 30 W Dimensions: 145 mm x 50 mm x 22 mm</p> |
|  | <p>Article no.: 17231000 LED power supply 24 V DC, dimmable Power: 12 - 75 W Dimensions: 185 mm x 60 mm x 31 mm</p> |
|  | <p>Article no.: 17232000 LED power supply 24 V DC, dimmable Power: 12 - 120 W Dimensions: 223 mm x 64 mm x 32 mm</p> |