

5

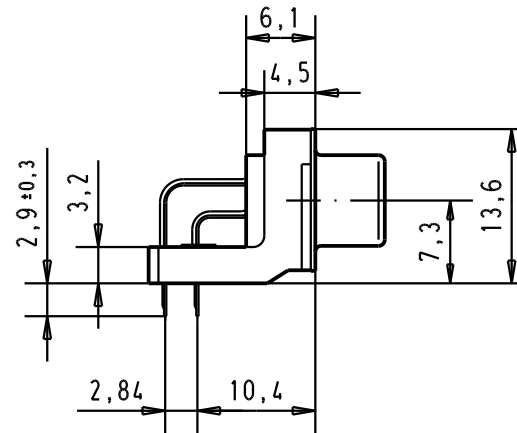
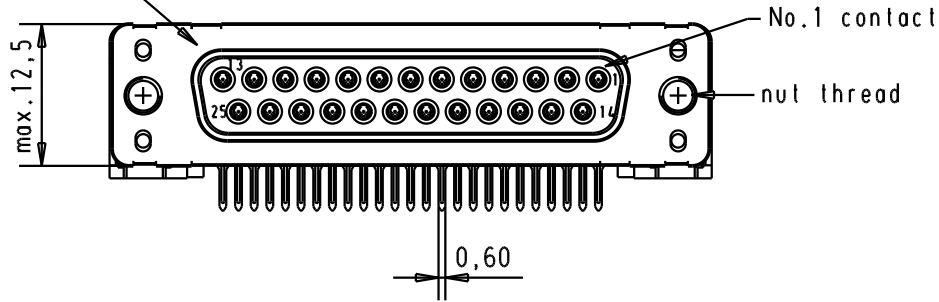
4

3

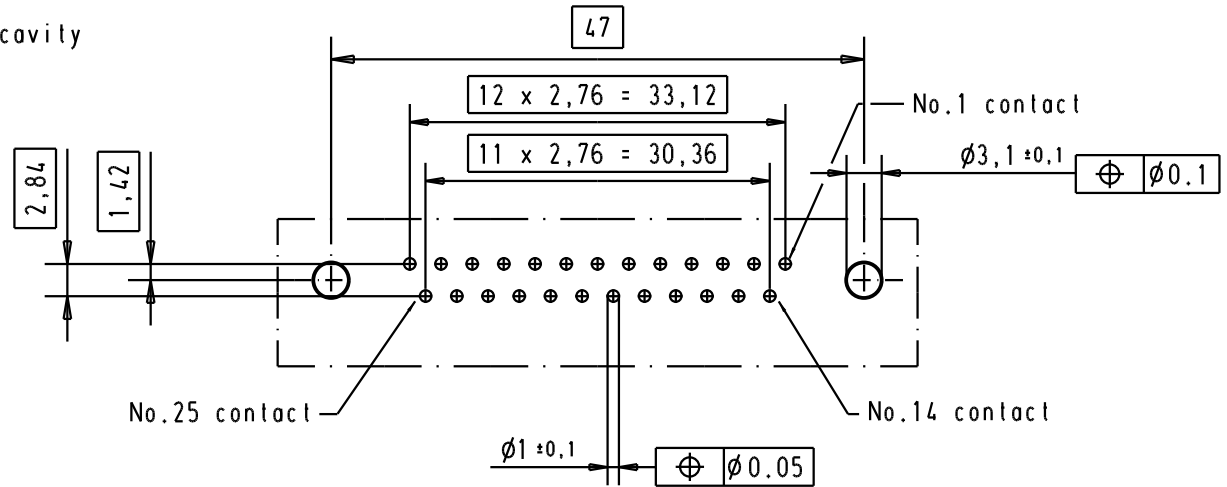
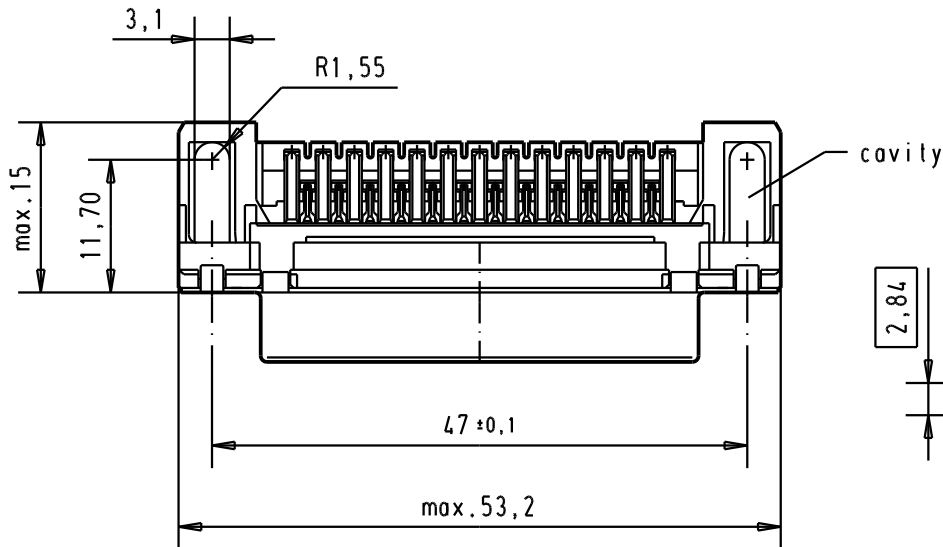
2

1



Mating face according to : MIL-C-24308 / DIN 41652 / CECC 75301-802



Printed board layout component side



A

| Part number | Nut thread | Performance level | Mod. | Dat. | Name | Dat. | Name |  All Dim. in mm Orig. Size DIN A 4 | | Maßstab/ Scale Blatt/ Page 2 |
|----------------|------------|-------------------|-------|-----------|---------|-------------------------------|-----------|-------------------------------------------------------------------------------------------------------------------------------|----------------|---------------------------------------------------------------------------------------|
| 09 66 313 3601 | M 3 | 1 | | | | | | D-Sub 25 poles standard angle female, solder pin with nut and hole | 1.5:1 | |
| 09 66 313 6601 | M 3 | 2 | | | | Detail. | 01/dec/00 | | | ALSPACE |
| 09 66 313 7601 | M 3 | 3 | | | | Insp. | | | | |
| 09 66 313 3602 | 4-40 UNC | 1 | 31892 | 05/05/04 | JH | Stand. | | | | |
| 09 66 313 6602 | 4-40 UNC | 2 | 29773 | 18-APR-02 | CV | HARTING EURL F-95972 Paris | | | TB 0966313x60x | |
| 09 66 313 7602 | 4-40 UNC | 3 | 27960 | 01/dec/00 | ALSPACE | | | | |  |
| Part number | Nut thread | Performance level | Mod. | Dat. | Name | Sub. | | | | |