

## Plug TN - with cable gland, with closure cap



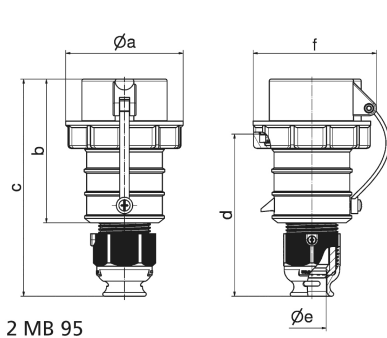
Product description	
BALS-Prd.-Nr	210410
EAN	4024941108270
Product category	QUICK-CONNECT TN plug
Current	32A
Number of poles	4p
Poles	3P+PE
Position of earth contact	11 h
Voltage	440 up to 460V, mainly for ship installations
Frequency	60Hz

Product description	
VG-Type-No.:	VG 96919 CP 026
Protection degree	IP67
Colour code	bronze-green RAL 6031-F9
Colour of appliance	Cable gland bronze-green RAL 6031-F9, Bayonet ring bronze-green RAL 6031-F9, Housing cover bronze-green RAL 6031-F9, Collar bronze-green RAL 6031-F9, Closure cap bronze-green RAL 6031-F9
Connection design	screwless spring-clamp technology
Maximum conductor size	6,0 qmm
Cable entry	Cable gland
Height	199mm
Width	94mm
Depth	97mm
Material of enclosure	Polyamide
Contact	The contact carrier is made of high temperature resistant material, the contacts are brass nickel plated

Additional technical properties	
	For cable diameter from 11 up to max. 23,5 mm, Multi-Grip cable gland with gasket, integrated cable clamp and additional water evacuation openings
	With closure cap

Logistics data	
Weight/pcs	0.344 kg / Piece

Logistics data	
Packaging	Bag
Content amount	1 ST
EAN	4024941108270
Length	97 mm
Width	94 mm
Height	199 mm
Weight	0.345 kg
Volume	1,814.482 ccm
Packaging	Carton
Content amount	10 ST
EAN	4024941839013
Length	325 mm
Width	217 mm
Height	210 mm
Weight	3.646 kg
Volume	13,588.4 ccm



Ampere	16	16	16	32	32	32
Polzahl	3	4	5	3	4	5
a ø	70,0	78,0	86,0	94,0	94,0	101,0
b	103,5	104,0	105,5	127,0	127,0	129,5
c	153,5	154,0	160,5	187,0	187,0	193,5
d	111,0	111,0	119,0	136,0	136,0	138,5
e ø	18,0	18,0	21,0	23,5	23,5	27,0
f	75,5	82,5	91,0	96,5	96,5	104,5
Leiter mm <sup>2</sup> min	1,0	1,0	1,0	2,5	2,5	2,5
Leiter mm <sup>2</sup> max	2,5	2,5	2,5	6,0	6,0	6,0