

1 2 3 4 5 6

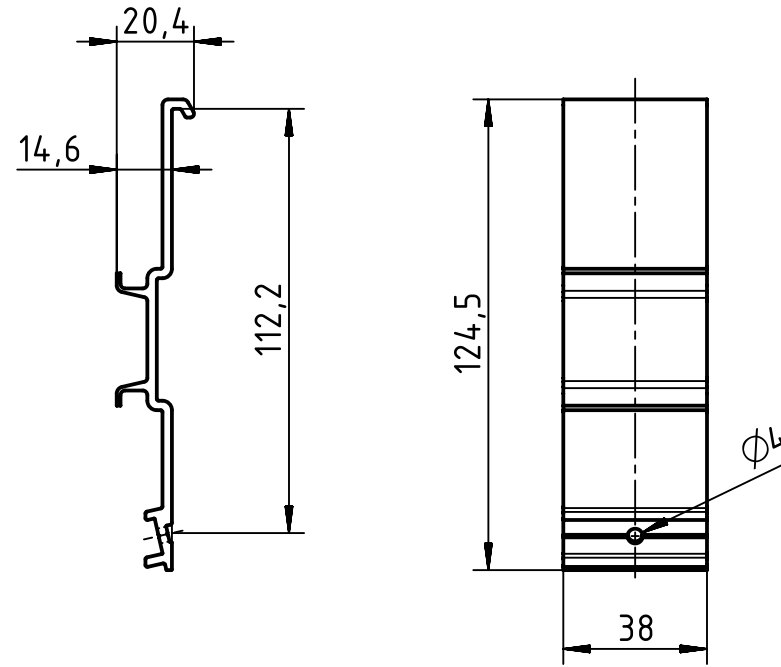
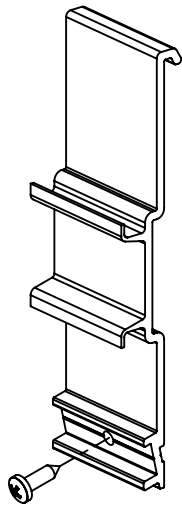
A


B

C

D

views excluding screw



	All rights reserved Department EL PD - DE		Created by STICKFORTH	Inspected by WULF	Standardisation TIEMANNA	Date 2015-03-12	State Final Release	
	HARTING Electric GmbH & Co. KG D-32339 Espelkamp		Title Ha-VIS MK3000 S738				Doc-Key / ECM-Nr. 100610296/UGD/002/B 500000086312	
			Scale 1:2	Free size tol.			Ref.	Sub.
			Type TB	Number 24 98 100 0011			Rev. B	Page 1/1