

CUBIC MAX A2 | SURFACE

Q330 - Q630

1. MONTAGE UND INSTALLATION | MOUNTING AND INSTALLATION:

Mounting distances must be used, one per fixing point

Montagedistanzstück muss pro Befestigungspunkt benutzt werden

1. Bei allen Montagearbeiten Handschuhe tragen.
 Use gloves when handling the fixture.

Important: Bottom view of the ceiling

Q[mm]	X[mm]
330	200
430	300
530	400
630	500

2. Montageöffnungen.
 Installation openings.

3. Leitungseinführung.
 Cable entry point.

4.

5. - min/max stripped wire length: 7mm-10mm
 - max power supply cable: 1,5mm²

Q330 - Q430

1, 2, 3, 6.

Q530 - Q630

1, 2, 3, 7.

8. "CLICK"

Mounting distances
 Montagedistanz

9.

10. Range of displacement ~15mm

1, 2, 3 "CLICK"

11.

Diffuser direction

INSIDE
 gloss

prism matt

OUTSIDE

CUBIC MAX A2 | SURFACE

Q900 - Q1200

1. MONTAGE UND INSTALLATION | MOUNTING AND INSTALLATION:

Mounting distances must be used, one per fixing point

Montagedistanzstück muss pro Befestigungspunkt benutzt werden

1. Bei allen Montagearbeiten Handschuhe tragen.
 Use gloves when handling the fixture.

Important: Bottom view of the ceiling

Q[mm]	L1[mm]	L2[mm]
900	458	560
1200	942	858

3. X - center of luminaire

4. - min/max stripped wire length: 7mm-10mm

4. - max power supply cable: 1,5mm²

5.

6.

7.

8. Place clip hook under LED inset

9. Place safety cord under LED inset

10. CLICK

11. Diffuser direction

INSIDE gloss

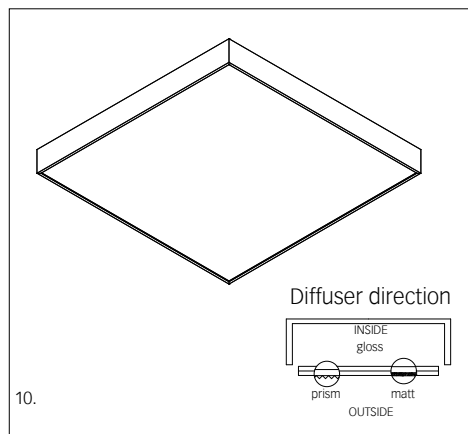
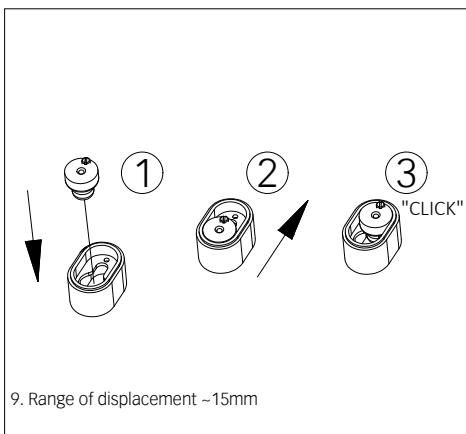
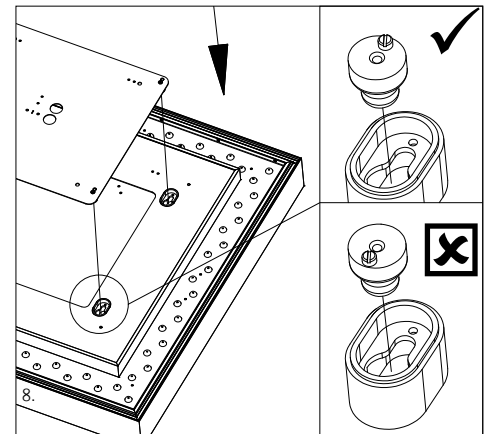
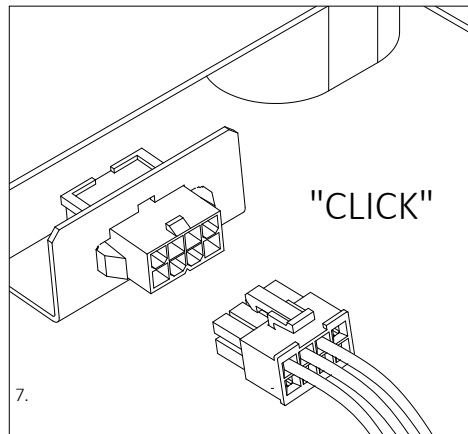
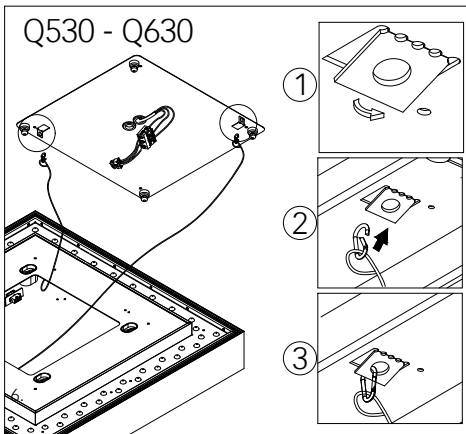
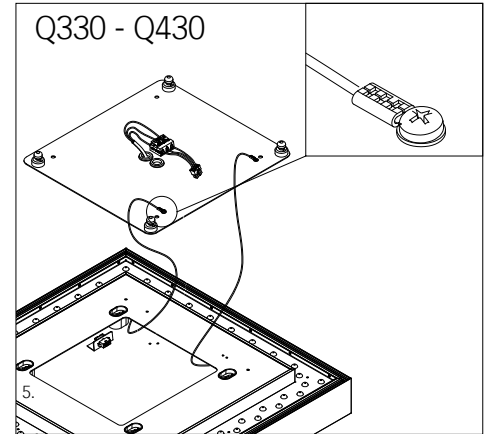
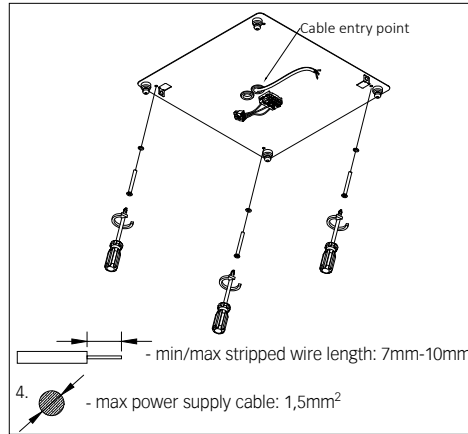
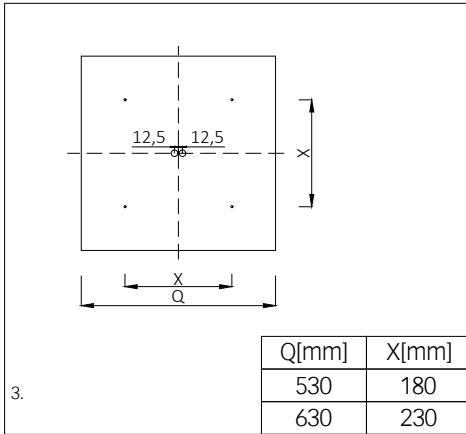
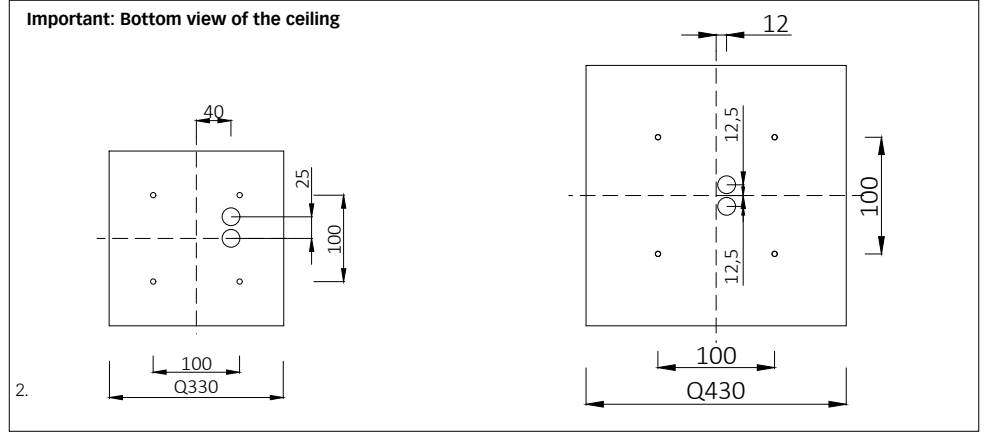
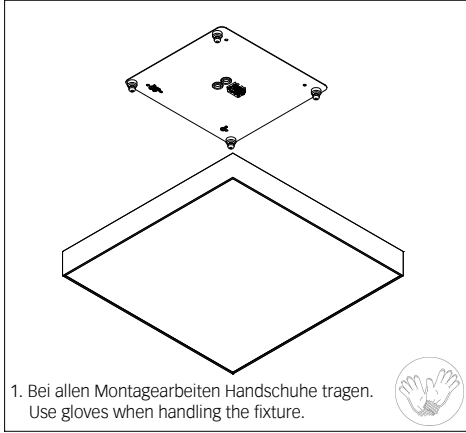
prism matt

OUTSIDE

CUBIC MAX X2 | SURFACE

Q330 - Q630

1. MONTAGE UND INSTALLATION | MOUNTING AND INSTALLATION:



lightnet

CUBIC MAX X2 | SURFACE

Q900 - Q1200

1. MONTAGE UND INSTALLATION | MOUNTING AND INSTALLATION:

Lightnet GmbH
 Zollstockgürtel 65
 50969 Köln / Germany
 Tel.: +49 (0) 221 22 25 26-0
 E-Mail: info@lightnet.de
 www.lightnet.de

