

Wall mounting appliance inlet - with hinged cover



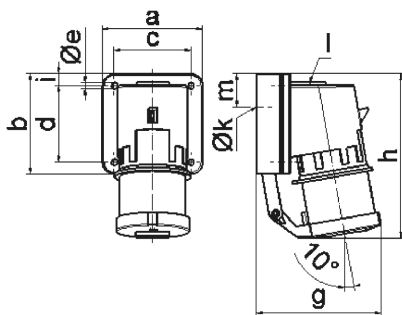
Product description	
BALS-Prd.-Nr	24019
EAN	4024941240192
Product category	Wall mounting appliance inlet
Current	32A
Number of poles	4p
Arrangement of phases	3P+PE
Position of earth contact	7 h
Voltage	480 - 500V~
Frequency	50/60Hz

Product description	
Protection degree	IP44
Colour code	black RAL 9005
Colour of appliance	Collar black RAL 9005, Hinged lid grey RAL 7035, Housing bottom grey RAL 7035, Housing top grey RAL 7035
Connection design	with screw terminal
Maximum conductor size	6,0 qmm
Cable entry	top entry M25
Height	147mm
Width	90mm
Depth	117mm
Dimension of enclosure	75x90 mm (HxW)
Material of enclosure	Polyamide
Contacts	The contact carrier is made of polyamide, The contacts are brass

Additional technical properties	
	The cable entry is one at top open and one rear sided closed
	With hinged lid

Logistics data	
Weight/pcs	0.35 kg / Piece
Packaging	Bag

Logistics data	
Content amount	1 ST
EAN	4024941240192
Length	117 mm
Width	90 mm
Height	147 mm
Weight	0.351 kg
Volume	1,547.91 ccm
Packaging	Carton
Content amount	10 ST
EAN	4024941832700
Length	325 mm
Width	217 mm
Height	210 mm
Weight	3.706 kg
Volume	13,588.4 ccm



5 MB 12

Ampere	16	32	32	32
Polzahl	5	3	4	5
a	84,0	90,0	90,0	90,0
b	84,0	75,0	75,0	75,0
c	64,0	78,0	78,0	78,0
d	64,0	45,0	45,0	45,0
e ø	5,5	5,5	5,5	5,5
g	105,0	114,0	114,0	115,0
h	138,0	149,0	149,0	150,0
i	10,0	13,0	13,0	13,0
k ø	23,0	29,0	29,0	29,0
l	M20	M25	M25	M25
m	28,0	27,0	27,0	27,0
Leiter mm ² min	1	2,5	2,5	2,5
Leiter mm ² max	2,5	6	6	6