

# SLC S32015 DALI Driver CV 24V 100W

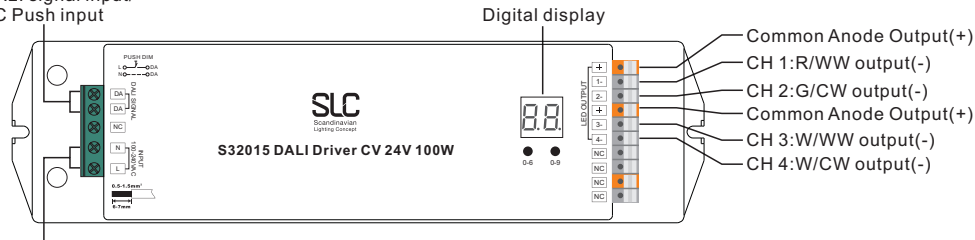
SLC S32015



**Important:** Read All Instructions Prior to Installation

## Function introduction

DALI signal input/  
AC Push input



AC 100-240V  
power input

## Product Data

Output	LED Channel	4
	DC Voltage	24V DC
	Max. Current	Max. 4.16A/CH, CH1+CH2+CH3+CH4=4.16A
	Voltage Tolerance	± 1%
	Rated Power	max. 100W
Input	Voltage Range	100-240V AC
	Frequency Range	50/60Hz
	Power Factor (Typ.)	> 0.90 @ 230VAC
	Total Harmonic Distortion	THD ≤ 15% (@ full load / 230VAC)
	Efficiency (Typ.)	90% @ 230VAC full load
	AC Current (Typ.)	1.2A @ 100VAC, 0.5A @ 230VAC
	Inrush Current (Typ.)	COLD START Max. 50A at 230VAC
Control	Leakage Current	< 0.5mA /230VAC
	Dimming Interface	DALI/PUSH
	Dimming Range	0%-100%
Protection	Dimming Method	Pulse Width Modulation
	Short Circuit	Yes, recovers automatically after fault condition is removed
	Over Current	Yes, recovers automatically after fault condition is removed
	Over Temperature	Yes, recovers automatically after fault condition is removed

Environment	Working Temp.	-20°C ~ +50°C
	Max. Case Temp.	75°C
	Working Humidity	10% ~ 95% RH non-condensing
	Storage Temp. & Humidity	-40°C ~ +80°C, 10% ~ 95% RH
Safety & EMC	Safety Standards	TUV EN61347-1, EN61347-2-13 approved
	Withstand Voltage	I/P-O/P: 3.75KVAC
	Isolation Resistance	I/P-O/P: 100M Ohms / 500VDC / 25°C / 70% RH
	EMC Emission	EN55015, EN61000-3-2, EN61000-3-3
	EMC Immunity	EN61547, EN61000-4-2,3,4,5,6,8,11, surge immunity Line-Line 1KV
Others	MTBF	193.6K hrs min. @ 230VAC full load and 25°C ambient temperature
	Dimension	244*64*32mm (L*W*H)

- Dimmable LED driver
- 100-240VAC wide input voltage
- Max. output power 100W total
- 4 channels DC 24V constant voltage output
- Class II power supply, full isolated plastic case
- High power factor and efficiency
- To control single color, dual color, RGB/RGBW LED lighting
- Built-in DALI/Push Dim interface, DALI DT6 device
- Compatible with universal DALI masters that support DT6 commands
- IP20 rating
- Suitable for indoor LED lighting applications
- 5 years warranty

## Safety & Warnings

- DO NOT install with power applied to device.
- DO NOT expose the device to moisture.

## Operation

Set DALI Address Manually Via Buttons



- 1.1. Press and hold down any of the two buttons until numeric digital display flashes, then release the button.
- 1.2. Click any of the two buttons once to select a digit, click again to change the digit until the desired DALI address appears. Click first button to set "tens" position and second button to set "units" position. The address can be set from 00~63.
- 1.3. Then press and hold down any of the 2 buttons until the numeric digital display stops flashing to confirm the setting.

**Note:** DALI address can be manually assigned from 00-63-FF, by factory defaults, no DALI address is assigned for the driver, and the display shows **FF**. Setting DALI address as **FF** will reset the dimmer to factory defaults.

**FF Mode:** to set the driver to **FF** mode, please set the DALI address above 63 or below 00, which will enable the display to show **FF**, then press and hold down any of the two buttons until display stops flashing to confirm the setting.

### Set DALI Address Quantity



- 1
- 2

- 1.1. Press and hold down both of the two buttons until numeric digital display flashes, then release the button.
  - 1.2. Click first button to select "1A", "2A", "3A" or "4A" which means 1 address, 2 addresses, 3 addresses or 4 addresses.
  - 1.3. Then press and hold down any of the 2 buttons until the numeric digital display stops flashing to confirm the setting.
- For example, when we set address to 22:  
 When select 1A, all four channels will be the same address 22.  
 When select 2A, channel 1 & 3 will be the same address 22, channel 2 & 4 will be the same address 23.  
 When select 3A, channel 1, 2, 3 will be address 22, 23, 24 respectively, and channel 4 address is also 24.  
 When select 4A, channel 1, 2, 3, 4 will be address 22, 23, 24, 25 respectively.

### DALI Address Assigned by DALI Masters

DALI address can also be assigned by DALI Master controller automatically, please refer to user manuals of compatible DALI Masters for specific operations.

**Note:** The digital display will show **AU** When the DALI master is assigning addresses.

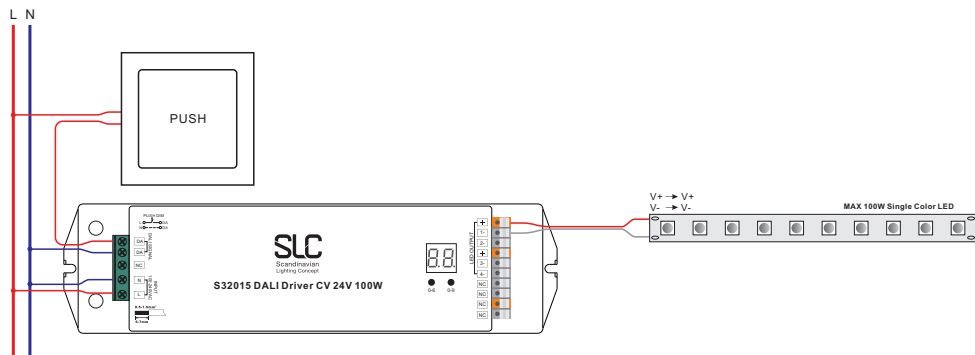
### Push Dimmer Mode

While connected with a PUSH, the digital display will show "PD" which means Push Dimmer Mode, operations under PUSH Dimmer Mode are as follows:

- 1.1. Click the button to switch ON/OFF
- 1.2. Press and hold down the button to increase or decrease light intensity to desired level and release it, then repeat the operation to adjust light intensity to opposite direction. The dimming range is from 1% to 100%.
- 1.3. Memory function after power off or power failure enables the device to memorize the status before power off while power on again.

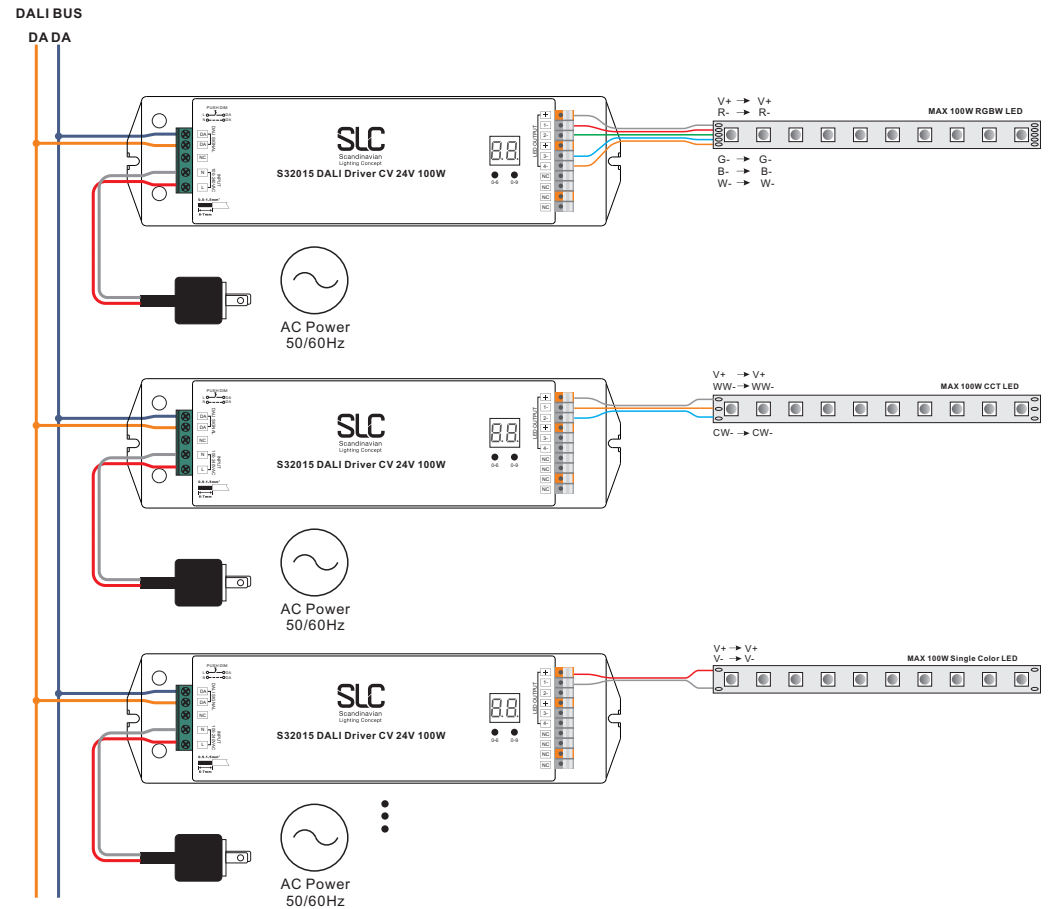
### Wiring diagram

1. With PUSH dimmer



### Wiring diagram

2. With DALI bus



### Product Dimension

