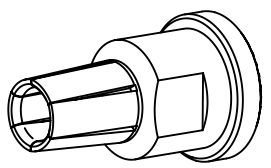
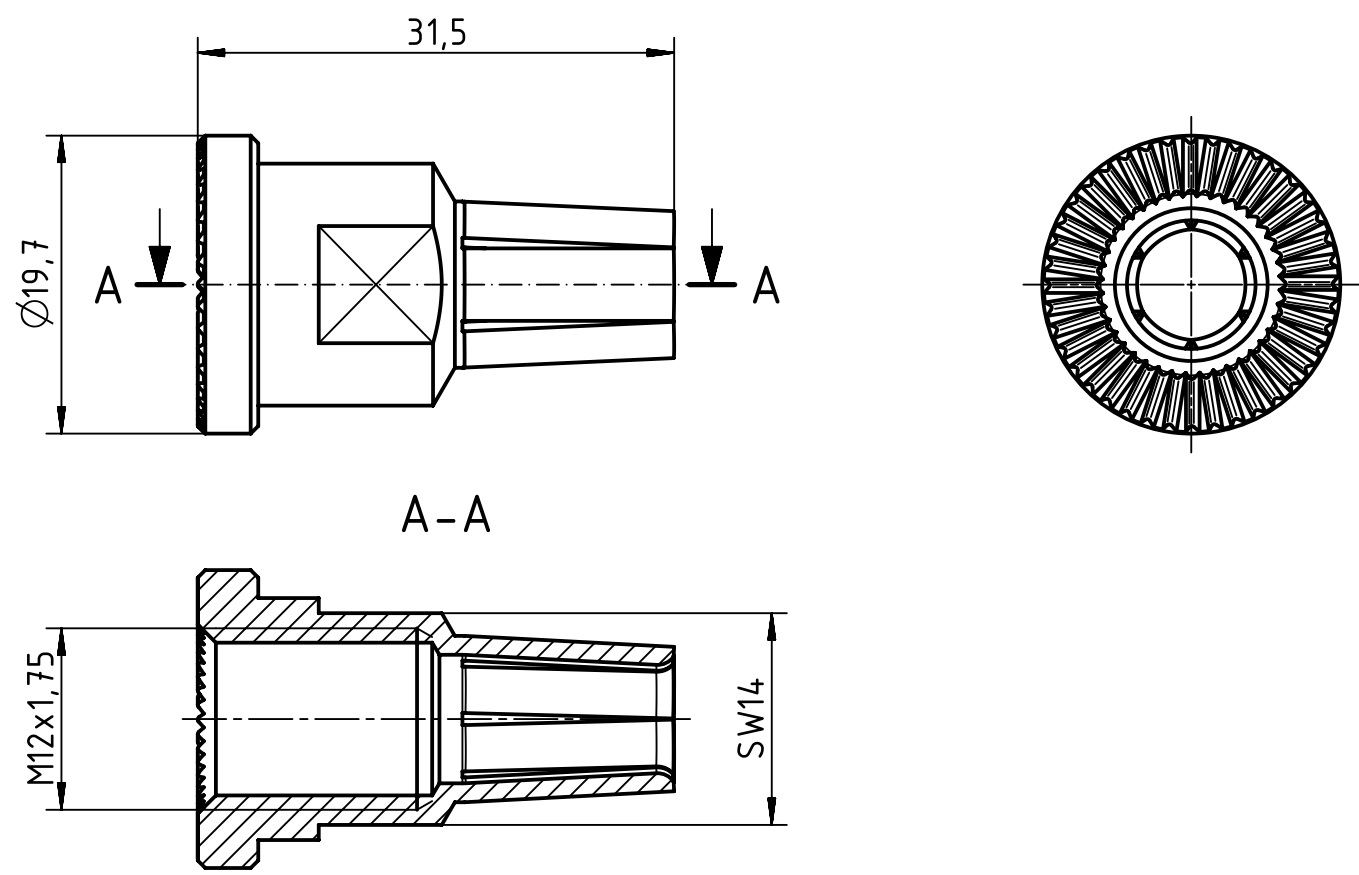


1 2 3 4 5 6

A
B
C
D



	All Dimensions in mm Original Size DIN A4		Scale 2:1	Free size tol.		Ref.	
						Sub.	
	All rights reserved Department EL PD - DE		Created by WULF	Inspected by LOETKEMANN	Standardisation RUETERA	Date 2017-07-31	State Final Release
	HARTING Electric GmbH & Co. KG D-32339 Espelkamp		Title Female Contact M12 f. Han Q 1/0			Doc-Key / ECM-Nr. 100642493/UGD/001/C 500000110729	
			Type TB	Number 09 11 000 6217		Rev. C	Page 1/1