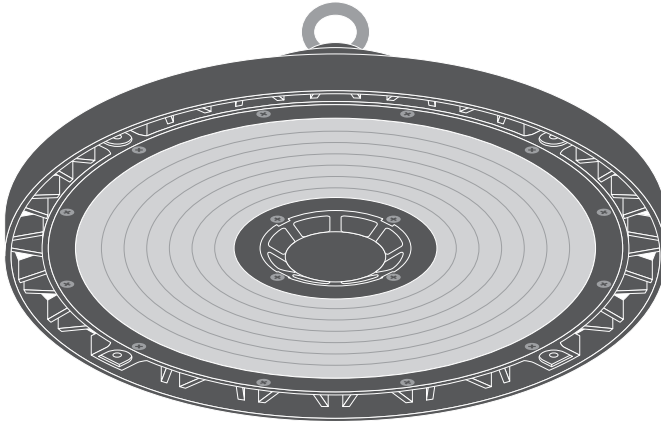


HIGHBAY DALI



| | EAN | Ø x h [mm] | W | V _{AC} | Hz | lm | lm/W | K |
|--------------------------------|---------------|------------|-----|-----------------|---------|-------|------|------|
| HB DALI 93W/4000K 110DEG IP65 | 4058075543904 | 280 x 160 | 93 | 220-240V | 50/60Hz | 13000 | 140 | 4000 |
| HB DALI 93W/4000K 70DEG IP65 | 4058075543911 | 280 x 160 | 93 | 220-240V | 50/60Hz | 13000 | 140 | 4000 |
| HB DALI 155W/4000K 110DEG IP65 | 4058075543928 | 321 x 163 | 155 | 220-240V | 50/60Hz | 22000 | 140 | 4000 |
| HB DALI 155W/4000K 70DEG IP65 | 4058075543935 | 321 x 163 | 155 | 220-240V | 50/60Hz | 22000 | 140 | 4000 |
| HB DALI 190W/4000K 110DEG IP65 | 4058075543942 | 321 x 168 | 190 | 220-240V | 50/60Hz | 27000 | 140 | 4000 |
| HB DALI 190W/4000K 70DEG IP65 | 4058075543959 | 321 x 168 | 190 | 220-240V | 50/60Hz | 27000 | 140 | 4000 |
| HB DALI 210W/4000K 70DEG IP65 | 4058075543966 | 321 x 168 | 210 | 220-240V | 50/60Hz | 30000 | 140 | 4000 |

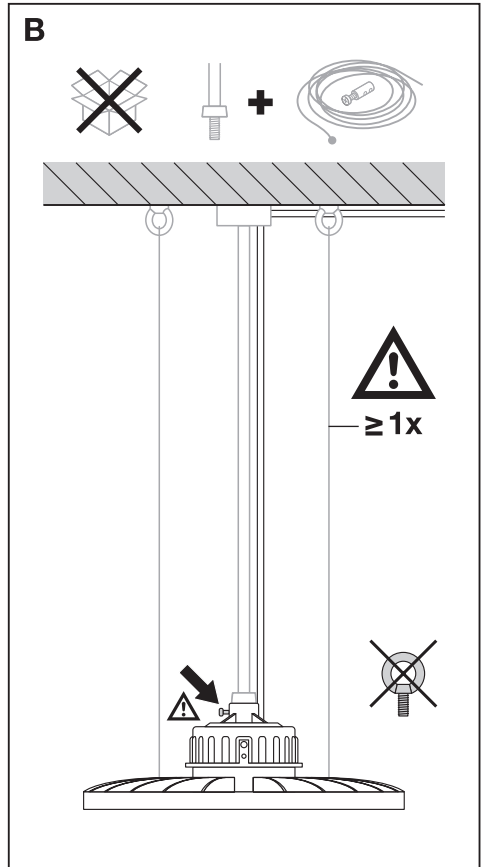
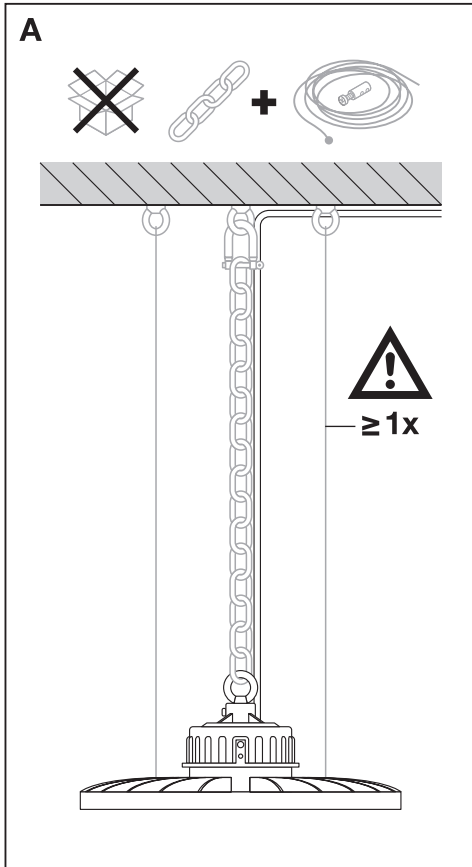
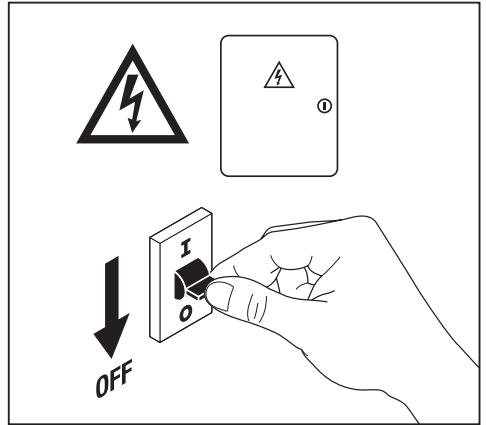
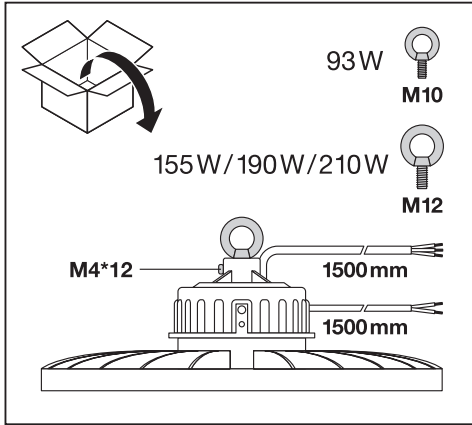
| | EAN | IP | IK | ∇ | R _a | ℓ (°C) | PF | 👤 |
|--------------------------------|---------------|----|----|------|----------------|-------------|-------|--------|
| HB DALI 93W/4000K 110DEG IP65 | 4058075543904 | 65 | 08 | 110° | ≥80 | -30 ... +50 | ≥0.95 | 2.8 kg |
| HB DALI 93W/4000K 70DEG IP65 | 4058075543911 | 65 | 08 | 70° | ≥80 | -30 ... +50 | ≥0.95 | 2.8 kg |
| HB DALI 155W/4000K 110DEG IP65 | 4058075543928 | 65 | 08 | 110° | ≥80 | -30 ... +50 | ≥0.95 | 3.6 kg |
| HB DALI 155W/4000K 70DEG IP65 | 4058075543935 | 65 | 08 | 70° | ≥80 | -30 ... +50 | ≥0.95 | 3.6 kg |
| HB DALI 190W/4000K 110DEG IP65 | 4058075543942 | 65 | 08 | 110° | ≥80 | -30 ... +50 | ≥0.95 | 3.8 kg |
| HB DALI 190W/4000K 70DEG IP65 | 4058075543959 | 65 | 08 | 70° | ≥80 | -30 ... +50 | ≥0.95 | 3.8 kg |
| HB DALI 210W/4000K 70DEG IP65 | 4058075543966 | 65 | 08 | 70° | ≥80 | -30 ... +50 | ≥0.95 | 3.8 kg |

HIGHBAY DALI

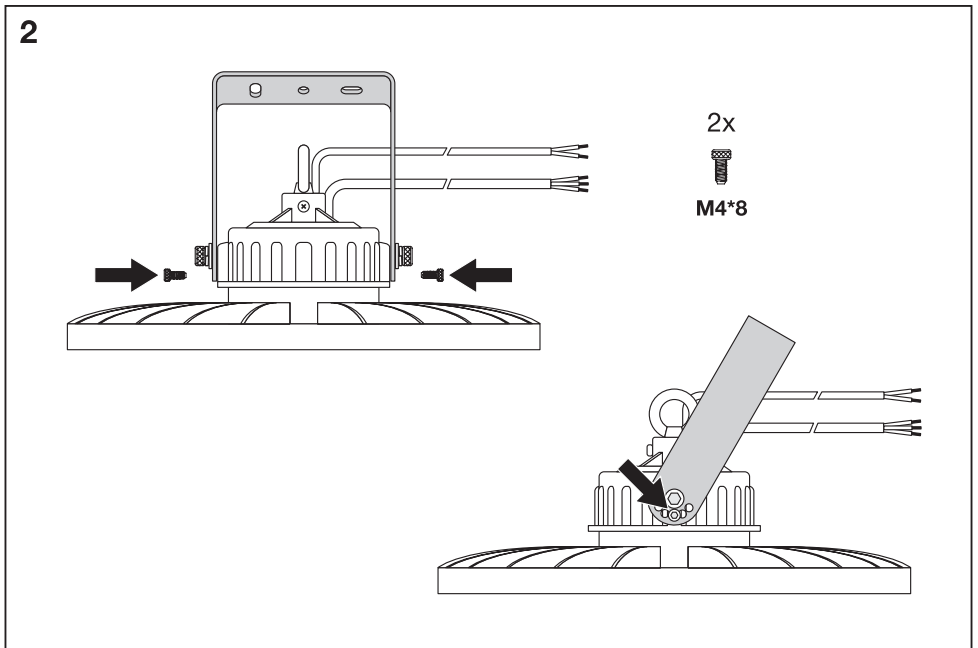
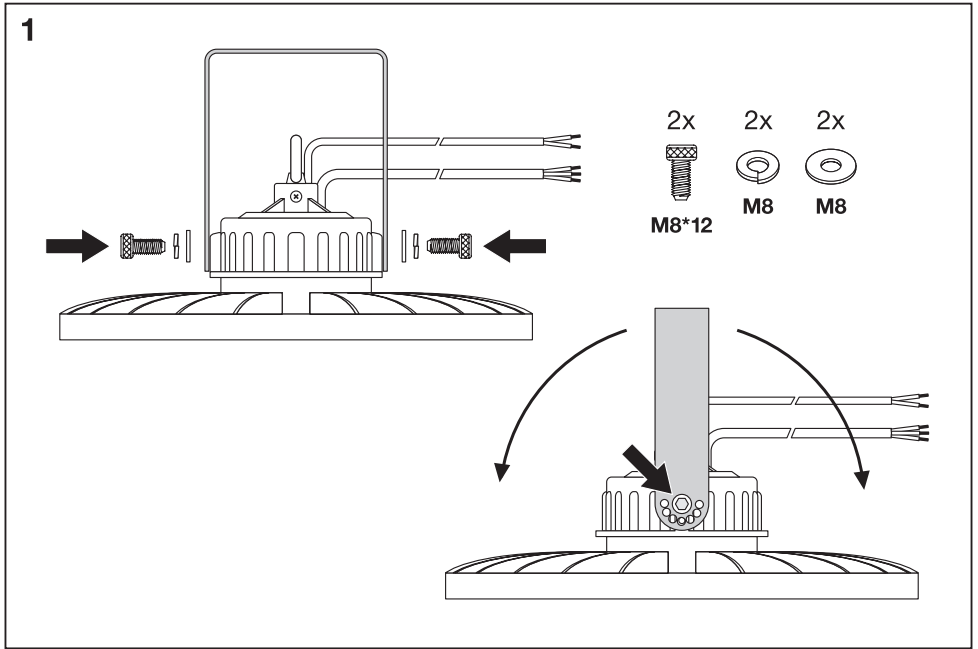
| | l x w x h [mm] | |
|--|----------------|--------|
| HB Bracket 93W | 133 x 35 x 148 | 0.3 kg |
| HB Bracket 155W & 190W & 210W | 151 x 35 x 148 | 0.3 kg |

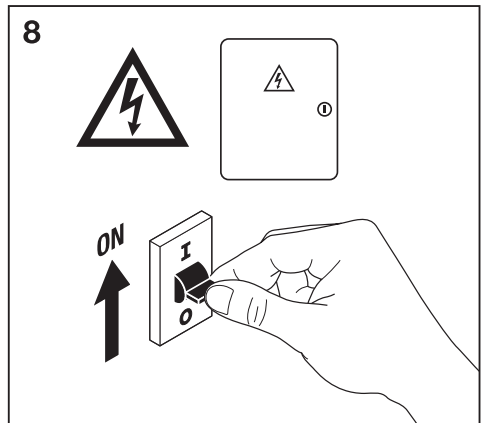
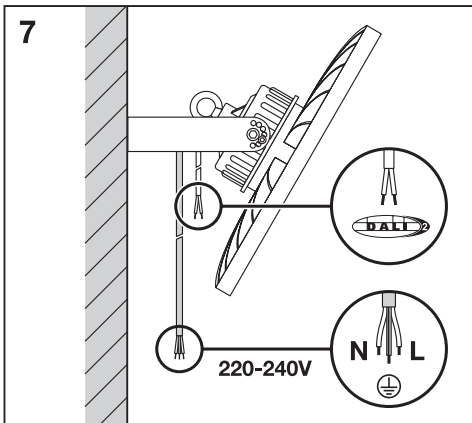
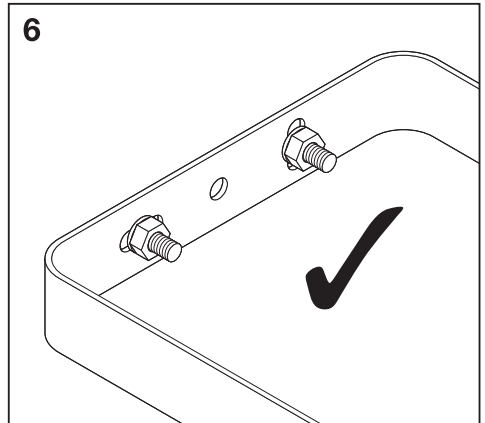
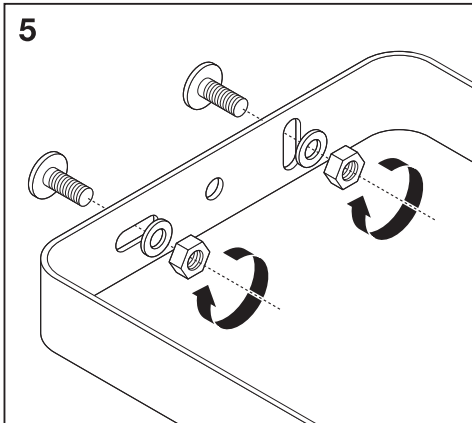
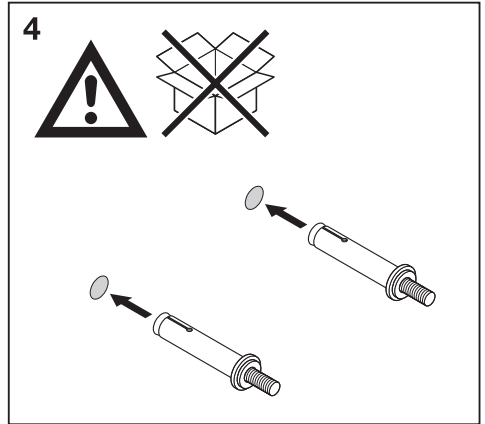
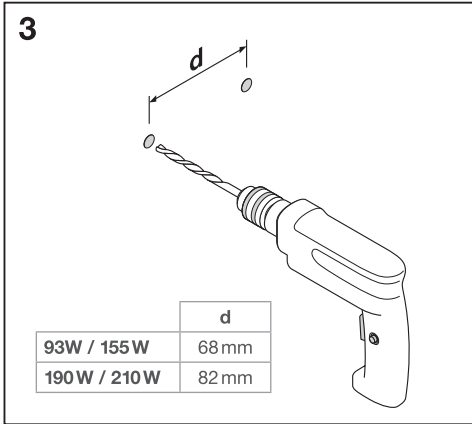
| | EAN | Ø x h [mm] | |
|----------------------------------|---------------|------------|--------|
| HB ALU REFLECTOR 93W | 4058075507043 | 415 x 208 | 0.5 kg |
| HB ALU REFLECTOR 155-210W | 4058075507050 | 499 x 250 | 0.6 kg |

| | EAN | Ø x h [mm] | |
|---------------------------------|---------------|------------|--------|
| HB PC REFRACTOR 93W | 4058075507029 | 309 x 76 | 0.2 kg |
| HB PC REFRACTOR 155-210W | 4058075507036 | 414 x 138 | 0.4 kg |

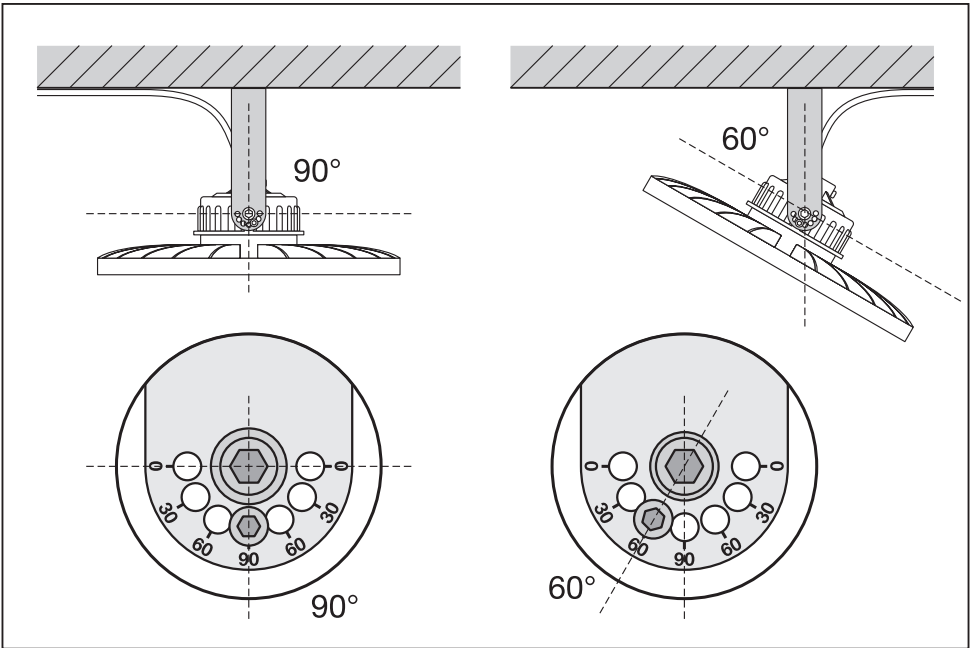
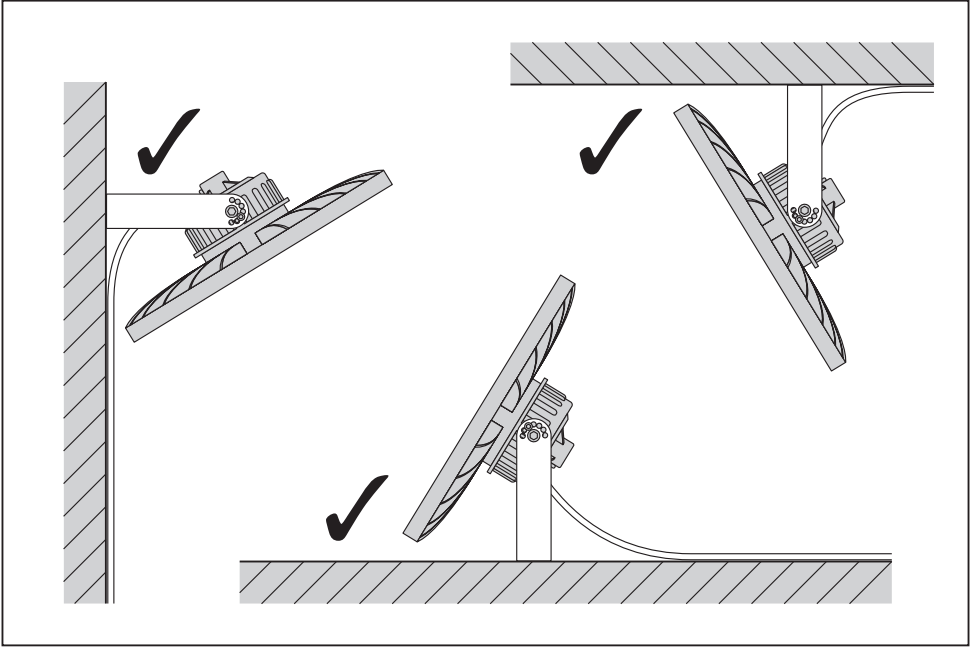


HIGHBAY DALI

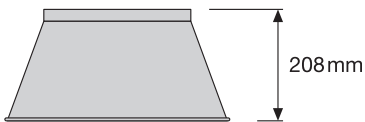
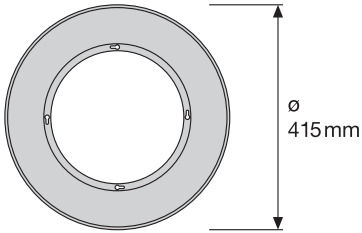
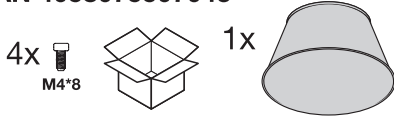




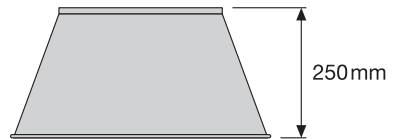
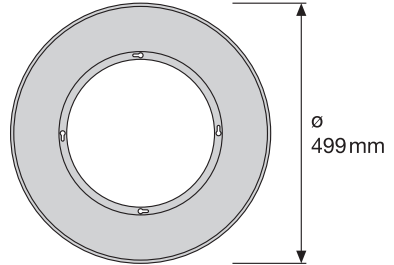
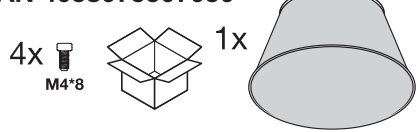
HIGHBAY DALI



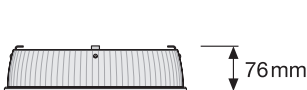
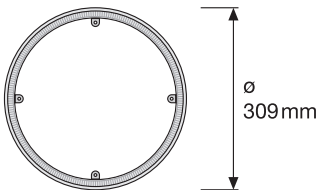
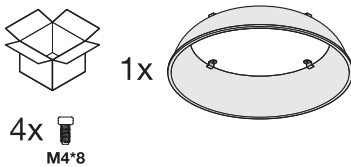
HB ALU REFLECTOR 93W
EAN 4058075507043



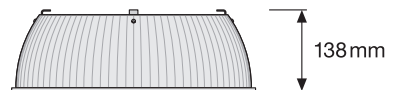
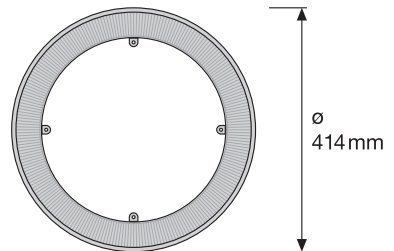
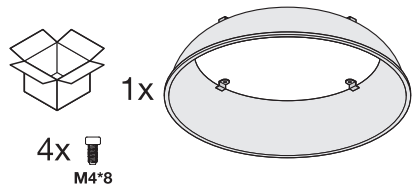
HB ALU REFLECTOR 155W-210W
EAN 4058075507050



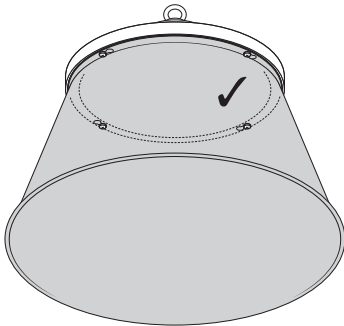
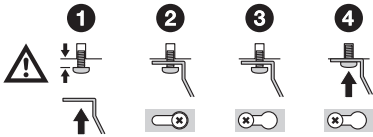
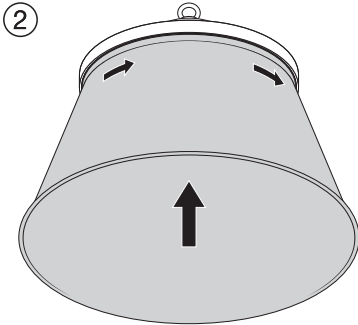
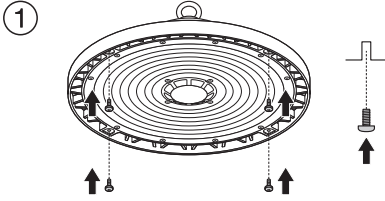
HB PC REFRACTOR 93W
EAN 4058075507029



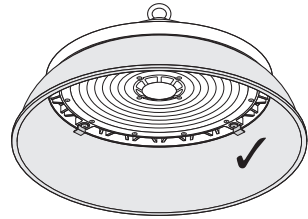
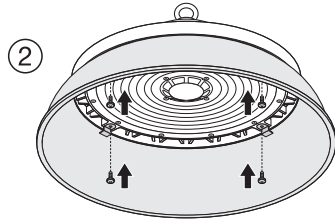
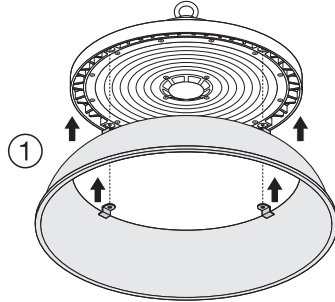
HB PC REFRACTOR 155W-210W
EAN 4058075507036



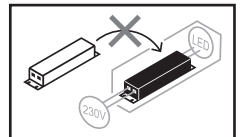
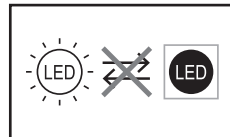
HB ALU REFLECTOR 93W-210W



HB PC REFRACTOR 93W-210W



| n | n | | |
|--------------------------------|-----|-----|-----|
| | B16 | C10 | C16 |
| HB DALI 93W/4000K 110DEG IP65 | 5 | 5 | 8 |
| HB DALI 93W/4000K 70DEG IP65 | 5 | 5 | 8 |
| HB DALI 155W/4000K 110DEG IP65 | 3 | 3 | 5 |
| HB DALI 155W/4000K 70DEG IP65 | 3 | 3 | 5 |
| HB DALI 190W/4000K 110DEG IP65 | 3 | 3 | 4 |
| HB DALI 190W/4000K 70DEG IP65 | 3 | 3 | 4 |
| HB DALI 210W/4000K 70DEG IP65 | 3 | 3 | 4 |



C10449058
G11110042V2
21.04.21



LEDVANCE GmbH
Steinerne Furt 62
86167 Augsburg, Germany
www.ledvance.com