

Domestic panel mounting socket outlet, , for use in stationary distributor systems - flange 50x50, fixing centers 38x38

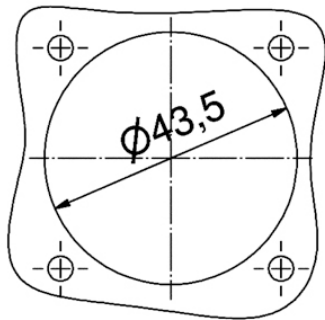
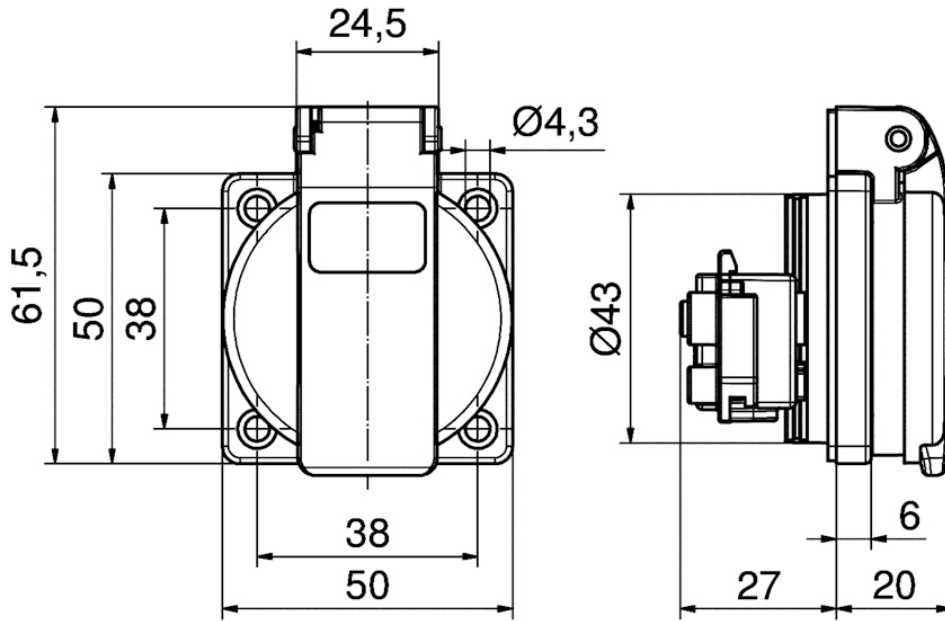


| Product description | |
|---------------------|---|
| BALS-Prd.-Nr | 71095 |
| EAN | 4024941209458 |
| Product category | Domestic panel mounting socket outlet, straight, System F German standard |
| Current | 16A |
| Number of poles | 3p |
| Poles | 2P+PE |
| Voltage | 250V |

| Product description | |
|--------------------------------|--|
| Frequency | alternating current (AC) |
| Protection degree | IP54 |
| Colour code | gray RAL 7035 |
| Colour of appliance | Hinged lid grey RAL 7035, Enclosure grey RAL 7035 |
| Connection design | head-screw terminal |
| Maximum conductor size | 4,0 qmm |
| Cable entry | other |
| Height | 61.5mm |
| Width | 50mm |
| Depth | 47.5mm |
| Flange size vertical | 50mm |
| Flange size horizontal | 50mm |
| Drill hole distance vertical | 38mm |
| Drill hole distance horizontal | 38mm |
| Material of enclosure | Polyamide |
| Contact | The contact carrier is made of polyamide, the contacts are brass nickel plated |

| Additional technical properties | |
|---------------------------------|--|
| | The connection is rear, with german earthing system, For use in stationary distributor distributor systems |

| Logistics data | |
|----------------|------------------|
| Weight/pcs | 0.059 kg / Piece |
| Packaging | Bag |
| Content amount | 1 ST |
| EAN | 4024941209458 |
| Length | 47.5 mm |
| Width | 50 mm |
| Height | 61.5 mm |
| Weight | 0.06 kg |
| Volume | 146.063 ccm |
| Packaging | Carton |
| Content amount | 20 ST |
| EAN | 4024941959117 |
| Length | 276 mm |
| Width | 174 mm |
| Height | 80 mm |
| Weight | 1.292 kg |
| Volume | 2,808 ccm |



18 MB 95