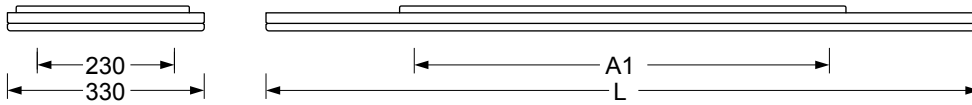




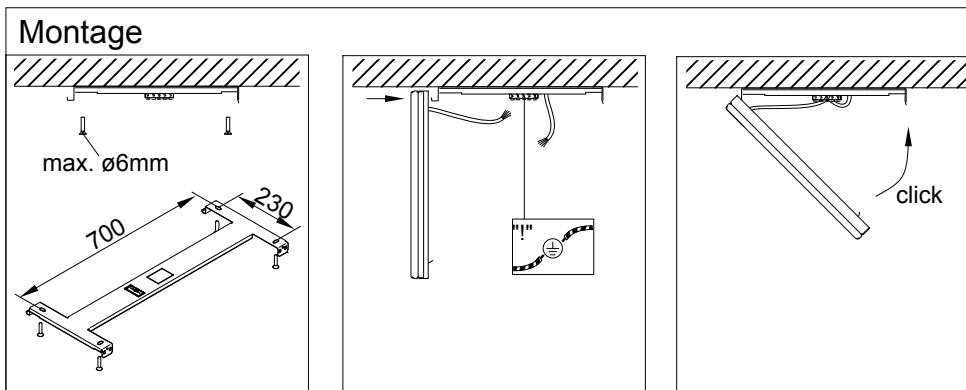
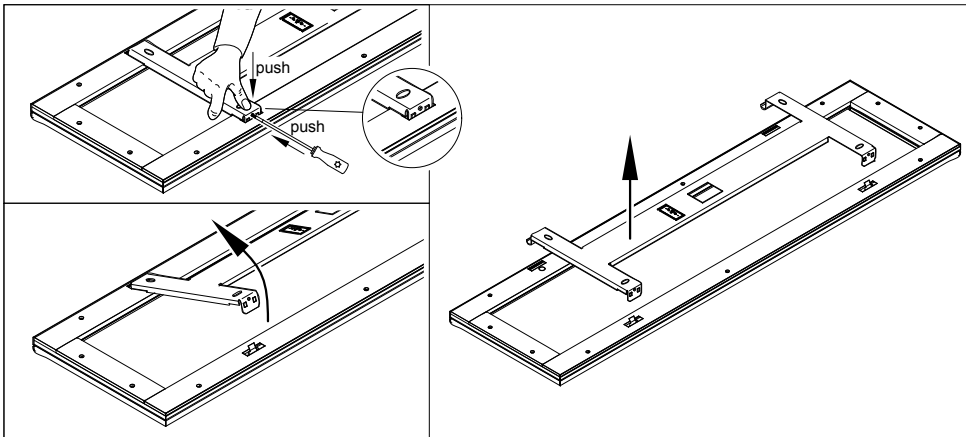
VSA.

43

Regiolux GmbH
 D-97484 Königsberg/Bay.
 Telefon (0 95 25) 89-0
 Telefax (0 95 25) 89 73 4
<http://www.regiolux.de>
 e-Mail: info@regiolux.de



	L	A1
VSA./1200	1199	700
VSA./1500	1480	700



VISULA dim DALI

	<p>- Ein / Aus / Dimmen - - On / Off / Dimming -</p>	<table border="1"> <thead> <tr> <th>ext.</th> <th></th> <th>int.</th> </tr> </thead> <tbody> <tr> <td>DA</td> <td>3</td> <td>tr/tr</td> </tr> <tr> <td>N</td> <td>N</td> <td>bl/bl</td> </tr> <tr> <td>PE</td> <td>⊕</td> <td>gnge/gnye</td> </tr> <tr> <td>L</td> <td>1</td> <td>bn/bn</td> </tr> <tr> <td>DA</td> <td>2</td> <td>sw/bk</td> </tr> </tbody> </table>	ext.		int.	DA	3	tr/tr	N	N	bl/bl	PE	⊕	gnge/gnye	L	1	bn/bn	DA	2	sw/bk
ext.		int.																		
DA	3	tr/tr																		
N	N	bl/bl																		
PE	⊕	gnge/gnye																		
L	1	bn/bn																		
DA	2	sw/bk																		
	<p>- Ein / Aus / Tast-Dim - - On / Off / Touch dim -</p>	<table border="1"> <thead> <tr> <th>ext.</th> <th></th> <th>int.</th> </tr> </thead> <tbody> <tr> <td>N</td> <td>3</td> <td>tr/tr</td> </tr> <tr> <td>N</td> <td>N</td> <td>bl/bl</td> </tr> <tr> <td>PE</td> <td>⊕</td> <td>gnge/gnye</td> </tr> <tr> <td>L</td> <td>1</td> <td>bn/bn</td> </tr> <tr> <td>L</td> <td>2</td> <td>sw/bk</td> </tr> </tbody> </table>	ext.		int.	N	3	tr/tr	N	N	bl/bl	PE	⊕	gnge/gnye	L	1	bn/bn	L	2	sw/bk
ext.		int.																		
N	3	tr/tr																		
N	N	bl/bl																		
PE	⊕	gnge/gnye																		
L	1	bn/bn																		
L	2	sw/bk																		

Achtung:
 Leuchte nicht öffnen!
 Garantieverlust!

Attention:
 Don't open the luminaire!
 Loss of Guarantee!

Attention:
 N'est pas ouvrir le luminaire!
 Perte de garantie!

Atención:
 Non abrir la luminara!
 Pérdida de garantía!

VISULA M5S5 dim DALI

	<p>- Ein / Aus / Tast-Dim / Tageslichtregelung / Bewegungs- und Präsenzerkennung / Fernbedienung</p> <p>- On / Off / Touch dim / Daylight control / Motion and presence detection / Remote control</p>	<table border="1"> <thead> <tr> <th>ext.</th> <th></th> <th>int.</th> </tr> </thead> <tbody> <tr> <td>Tast / push</td> <td>3</td> <td>rt/rd</td> </tr> <tr> <td>N</td> <td>N</td> <td>bl/bl</td> </tr> <tr> <td>PE</td> <td>⊕</td> <td>gnge/gnye</td> </tr> <tr> <td>L</td> <td>1</td> <td>bn/bn</td> </tr> <tr> <td>L</td> <td>2</td> <td>sw/bk</td> </tr> </tbody> </table> <table border="1"> <thead> <tr> <th>ext.</th> <th></th> <th>int.</th> </tr> </thead> <tbody> <tr> <td>DA</td> <td>A</td> <td>ws/wh</td> </tr> <tr> <td>DA</td> <td>B</td> <td>tr/tr</td> </tr> <tr> <td>DA</td> <td>C</td> <td>gn/gn</td> </tr> <tr> <td>DA</td> <td>D</td> <td>ge/ye</td> </tr> </tbody> </table>	ext.		int.	Tast / push	3	rt/rd	N	N	bl/bl	PE	⊕	gnge/gnye	L	1	bn/bn	L	2	sw/bk	ext.		int.	DA	A	ws/wh	DA	B	tr/tr	DA	C	gn/gn	DA	D	ge/ye
ext.		int.																																	
Tast / push	3	rt/rd																																	
N	N	bl/bl																																	
PE	⊕	gnge/gnye																																	
L	1	bn/bn																																	
L	2	sw/bk																																	
ext.		int.																																	
DA	A	ws/wh																																	
DA	B	tr/tr																																	
DA	C	gn/gn																																	
DA	D	ge/ye																																	