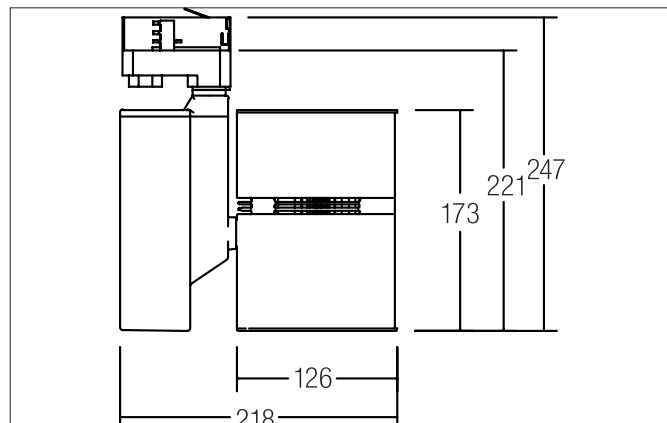


**LED track spotlight, 27W**

Article no. 88344684

Light.  
For Generations.**Tender**

LED track spotlight, 27W, Round. Luminaire diameter 126.0 mm, Weight 2.712 kg, with rotationssymmetrical, deep, wide distributed light intensity. Luminous flux 3.347 lm, Power 1 x 27 W, System Efficiency 124 lm/W, Light colour neutral white, Correlated color temperature (CCT) 4.000 K, Colour rendering index CRI > 80, Housing material: Aluminium, Colour: Silver, Permissible ambient temperature (ta): -20 °C - +25 °C, Protection class (EN 6 1 140): I, Degree of protection (DIN EN 60529): IP20. With electronic driver, on/off switchable.

Article data	
Article no.	88344684
GTIN	4250047703341
Short description	LED track spotlight, 27W
Material	Aluminium
Colour	Silver
Type of surface	Glossy
Shape	Round
Outer diameter	126 mm
Length	221 mm
Weight	2.712 kg

**LED track spotlight, 27W**

Article no. 88344684

Light.  
For Generations.

Lighting technology	
Colour temperature	4.000 K
Light colour	White
Luminous flux	3,347 lm
System efficiency	124 lm/W
Colour rendering	CRI > 80
Reflector	High-gloss
Beam angle	24°
Light sharing	Symmetric

Operating technology of the luminaire	
System output	27 W
Voltage type	AC
AC nominal voltage max	230 V
Frequenz max.	50 Hz
Lamp	LED
Protection class	I
Degree of protection	IP20
Control	on/off
Bulb change possible	The light source of this luminaire may only be replaced by the manufacturer or a service technician commissioned by him or a similarly qualified person.

Mounting technology	
Mounting method	Conductor rail mounting
Place of installation	Ceiling-mounted
Adjustability	Rotatable and adjustable head
Swivel angle	180°
Rotation angle	355°
Head adjustable angle	180°
Suitable for through-wiring	No

Packing data	
Gross weight	3.244 kg
Length of packaging	280 mm
Packaging width	200 mm
Packaging height	280 mm
Disposal at end of life	This product must not be disposed of with household waste. You are obliged, to dispose of such electrical waste separately. By disposing of electrical waste and other old or defective electronics separately, you support recycling or other forms of re-use. In that way you help to take care and to avoid that harmful substances get into the environment.