

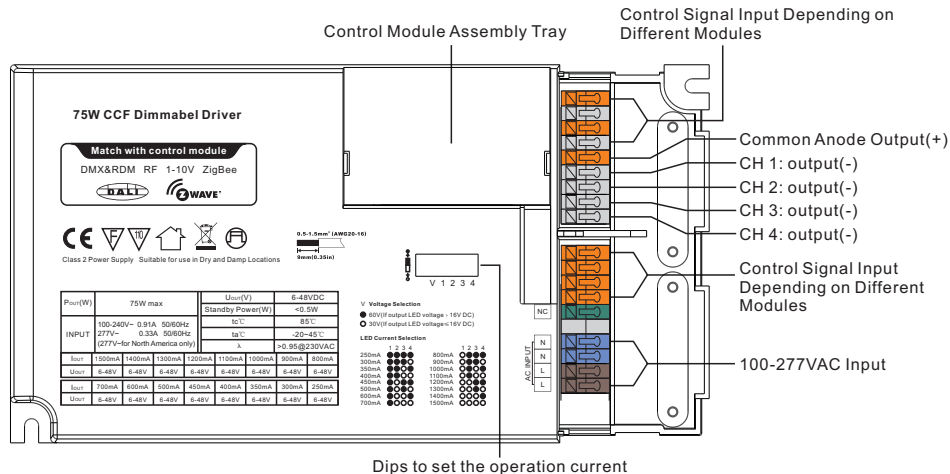
75W Intelligent LED Driver (Constant Current)

09.75CF.04084



Important: Read All Instructions Prior to Installation

Function introduction

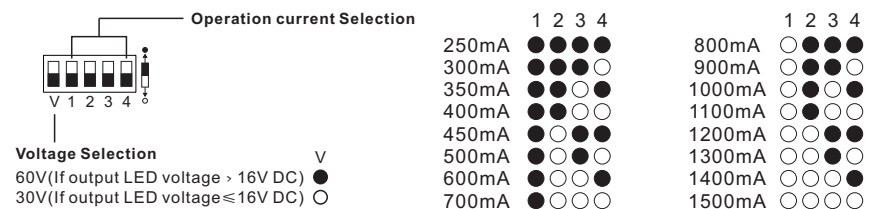


Product Data

Output	LED Channel	4							
	Selectable Current	250mA	300mA	350mA	400mA	450mA	500mA	600mA	700mA
	DC Voltage Range	6-48V	6-48V	6-48V	6-48V	6-48V	6-48V	6-48V	6-48V
	Selectable Current	800mA	900mA	1000mA	1100mA	1200mA	1300mA	1400mA	1500mA
	DC Voltage Range	6-48V	6-48V	6-48V	6-48V	6-48V	6-48V	6-48V	6-48V
	Current Tolerance	±3%							
Rated Power		75W							
Input	Voltage Range	100-277V AC							
	Frequency Range	50/60Hz							
	Power Factor (Typ.)	> 0.96 @ 230VAC							
	Total Harmonic Distortion	THD ≤ 15% (@ full load / 230VAC)							
	Efficiency (Typ.)	89% @ 230VAC full load							
	AC Current (Typ.)	0.91A @ 230VAC, 0.33A @ 277VAC							
	Inrush Current (Typ.)	COLD START 1.2A at 230VAC							
	Leakage Current	< 0.5mA / 230VAC							
Standby Power Consumption		< 0.5W							

Control	Compatible Dimming Interface	Plug-in type DALI (DT6/DT8), DMX/RDM, RF, 1-10V, ZigBee, Z-Wave
	Dimming Range	0%-100%
	Dimming Method	Pulse Width Modulation
Protection	Short Circuit	Yes, recovers automatically after fault condition is removed
	Over Voltage	Yes, recovers automatically after fault condition is removed
	Over Temperature	Yes, recovers automatically after fault condition is removed
Environment	Working Temp.	-25°C ~ +45°C
	Max. Case Temp.	85°C
	Working Humidity	10% ~ 95% RH non-condensing
	Storage Temp. & Humidity	-40°C ~ +80°C, 10% ~ 95% RH
Safety & EMC	Safety Standards	EN61347-1, EN61347-2-13
	Withstand Voltage	I/P-O/P: 3.75KVAC
	Isolation Resistance	I/P-O/P: 100M Ohms / 500VDC / 25°C / 70% RH
	EMC Emission	En55015, EN61000-3-2, EN61000-3-3
	EMC Immunity	En61547, EN61000-4-2,3,4,5,6,8,11, surge immunity Line-Line 1KV
Others	MTBF	193.6K hrs min. @ 230VAC full load and 25°C ambient temperature
	Dimension	173.7*94*38mm (L*W*H)

Dips to set the voltage and operation current



- 75W independent LED driver with full isolated design
- Supplied with terminal cover and cable retainer
- 100-277VAC wide input, 4 channels constant current output
- Innovative plug-in control module, easy assembly and disassembly
- Work with multiple modules: DALI (DT6/DT8), DMX/RDM, RF, 1-10V, ZigBee, Z-Wave
- Multi-current selectable from 250mA-1500mA by DIP switch
- High current accuracy up to ±3%
- Standby power consumption <0.5W
- 1500Hz PWM frequency, smooth and deep dimming to 0.1%, flicker free, no noise
- Built-in active PFC function

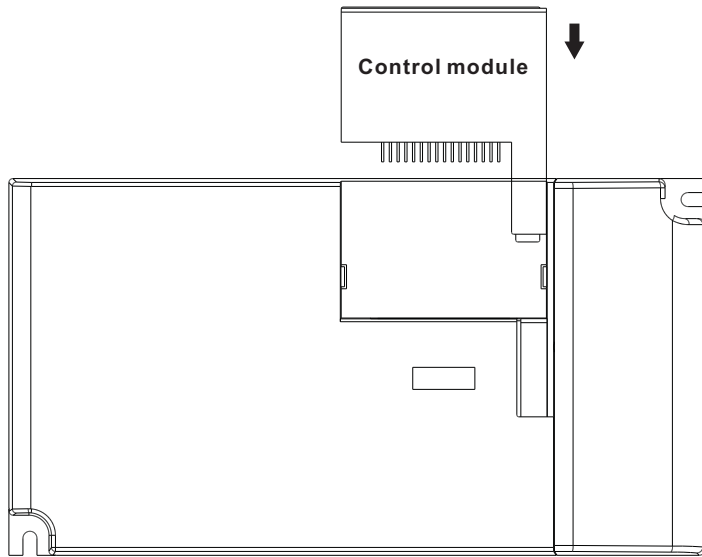
- Class II protection against electric shock for direct or indirect contact
- Protections: short circuits, over temperature, over voltage
- To protect load against overheating when work with an external thermistor
- Suitable for use on normally flammable surfaces
- 5 years warranty (3% failure rate)

Safety & Warnings

- DO NOT assemble control module with power applied to the device.
- DO NOT install with power applied to the device.
- DO NOT set operation current with power applied to the device.
- DO NOT expose the device to moisture.
- DO NOT change the control module within 1 minute after powering off the driver to avoid burning-out.

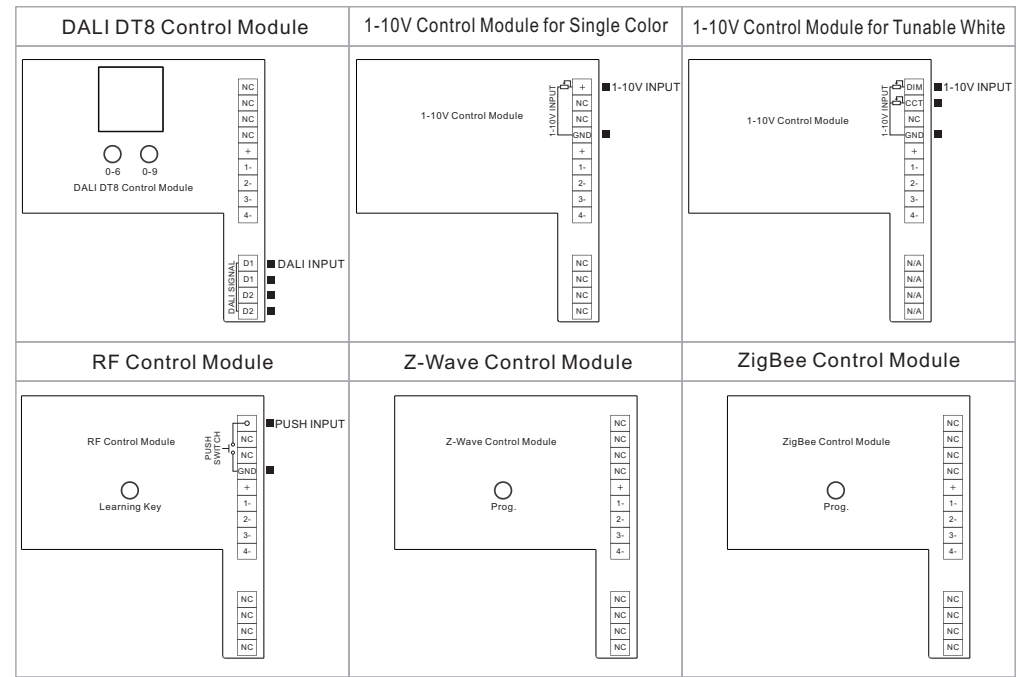
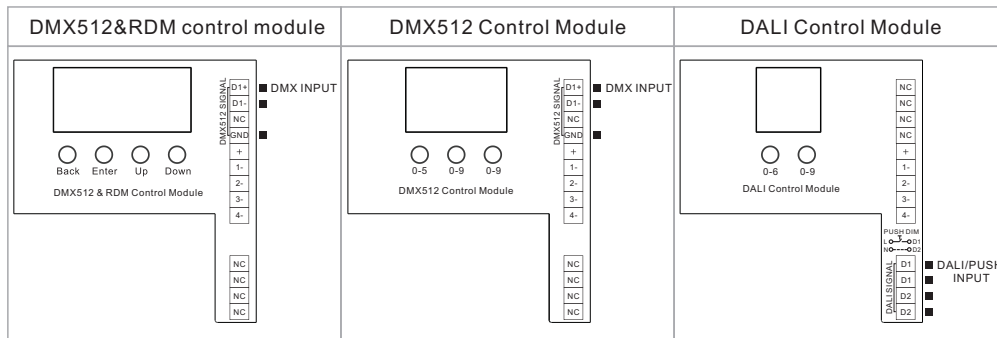
Assemble the Control Module

▼ Before assembly the control module, please power off

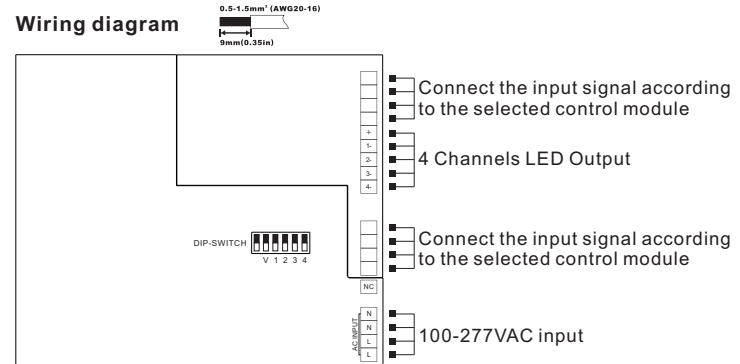


Match with control module

Compatible Control Modules: RF, DMX512, DMX512&RDM, DALI DT6, DALI DT8, 1-10V, ZigBee, Z-Wave



Wiring diagram



Note: for detailed wiring diagram, please refer to the user manual of corresponding control module.

Product Dimension

