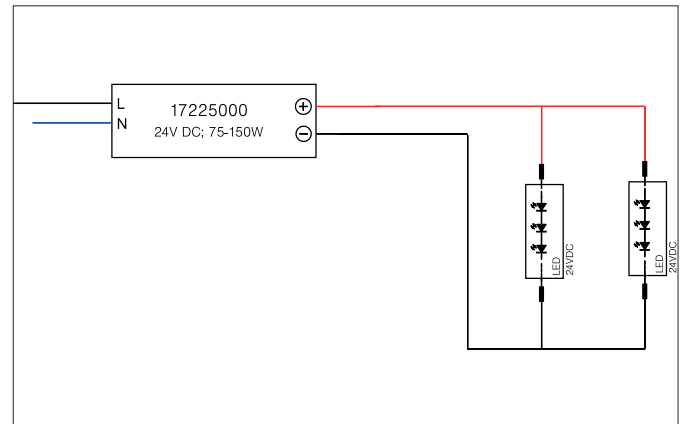


## LED power supply 24 V DC, on/off switchable

Article no. 17225000

Light.  
For Generations.



### Tender

LED power supply 24 V DC, on/off. This power supply unit is equipped with safety devices which protect it against overvoltage, short-circuit as well as thermal and electric overloads. Material: Aluminium, Degree of protection: according to DIN EN 60529 IP65, Protection class: (EN 61140) I, Voltage: 24V, Power: 150W, Control: on/off.

### Article data

Article no.	17225000
GTIN	4251433913016
Short description	LED power supply 24 V DC, on/off switchable
Material	Aluminium
Length	219 mm
Width	63 mm
Height	36 mm
Weight	0.856 kg

### Operating technology of driver

Protection class	I
Degree of protection	IP65
Starting current	65 A (550 µs)
Power min	1 W
Power	150 W
Control	on/off
Environment temperature (ta)	0°C up to 40°C
Measure point (tc)	max. +90 °C

**LED power supply 24 V DC, on/off switchable**

Article no. 17225000

Light.  
For Generations.

Packing data	
Gross weight	0.912 kg
Length of packaging	275 mm
Packaging width	85 mm
Packaging height	45 mm
Disposal at end of life	<p>This product must not be disposed of with household waste. You are obliged, to dispose of such electrical waste separately.</p> <p>By disposing of electrical waste and other old or defective electronics separately, you support recycling or other forms of re-use. In that way you help to take care and to avoid that harmful substances get into the environment.</p>