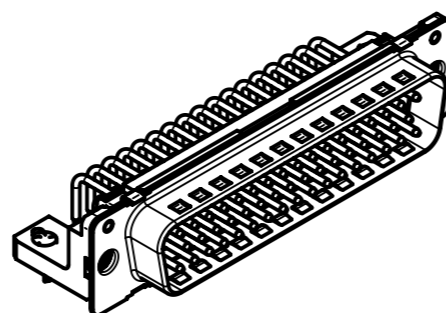


Part number	performance level	nut thread
0966 562 7815	AU3	M3
0966 562 7816	AU3	4-40 UNC
0966 562 6815	AU2	M3
0966 562 6816	AU2	4-40 UNC
0966 562 5815	0,76µm AU	M3
0966 562 5816	0,76µm AU	4-40 UNC



Mounting force on Printed board: 25-80 N

	All rights reserved Department EC PD - CN	All Dimensions in mm Original Size DIN A3	Scale 2:1	Free size tol.	Ref. Sub.
HARTING Electronics GmbH D-32339 Espelkamp		Title D-Sub 50-pole male low-profile assembly		Date 2015-10-27	
Type TB		Number 0966562X81X		State Final Release	
				Doc-Key / ECM-Nr. 100634741/UGD/000/A 50000095926	
				Rev. A Page 1/1	