

5

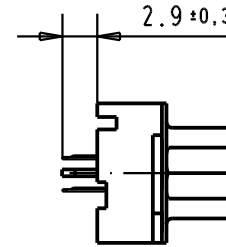
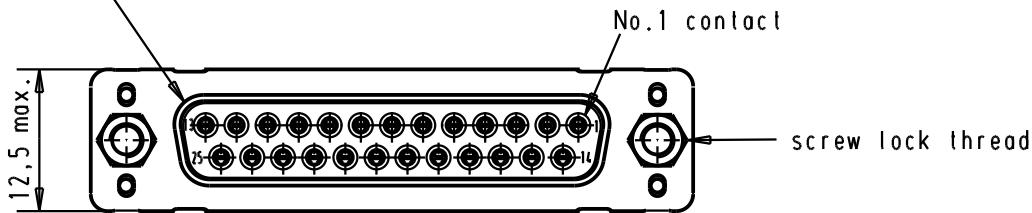
4

3

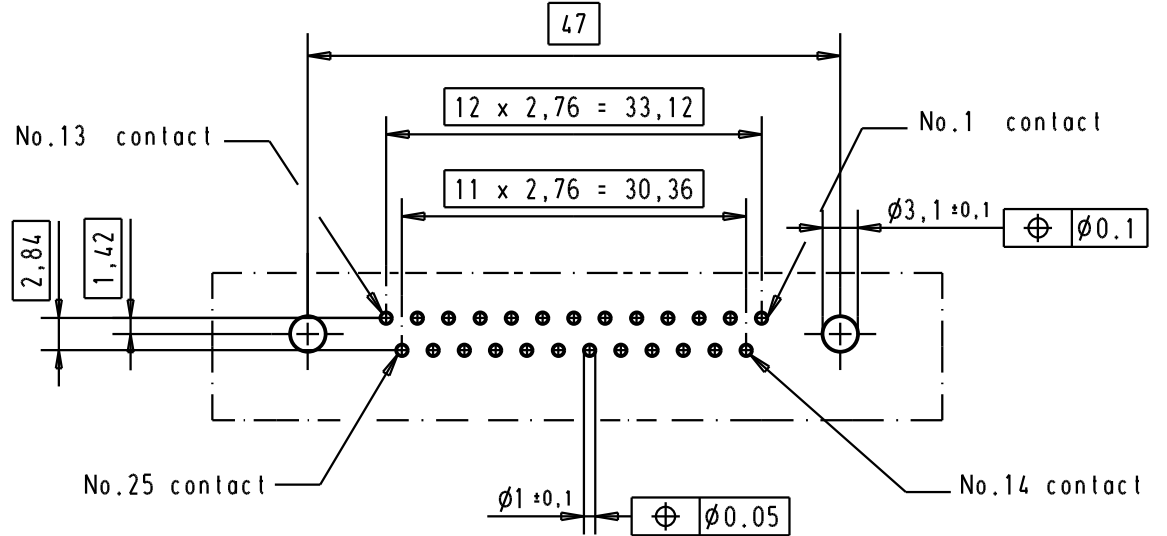
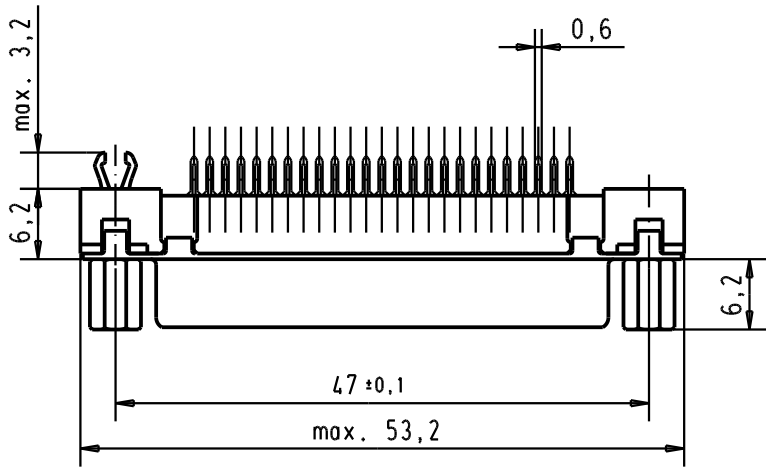
2

1

Mating face according to : MIL-C24308 / DIN 41652 / CECC 75301-802



Printed board layout  
component side  
PTH's plating = tin lead



Connector retention and insertion forces on the PCB = 25 / 80 newtons

A	09 66 351 3533	M3	1							<p>All Dim. in mm Orig. Size DIN A 4</p>	D-sub, 25 poles, female, straight, with solder pins 2.9, screw lock and grounding board lock	Maßstab/ Scale  1,5:1	
	09 66 351 6533	M3	2						Detail. 07-FEB-02 JB				
	09 66 351 7533	M3	3						Insp.				
	09 66 351 3513	4-40 UNC	1						Stand.				
	09 66 351 6513	4-40 UNC	2		31892	05/05/04	JH	HARTING EUROL F-95972 Paris				TB 09 66 351 x5x3	Blatt/ Page 1/
	09 66 351 7513	4-40 UNC	3		29746	07-FEB-02	JB						
	Part number	Screw lock thread	Performance level	Mod.	Dat.	Name					Sub.		