

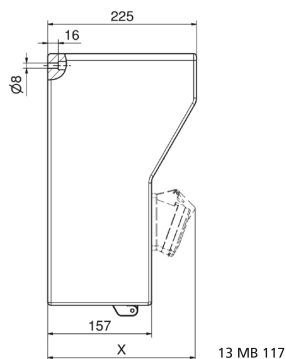
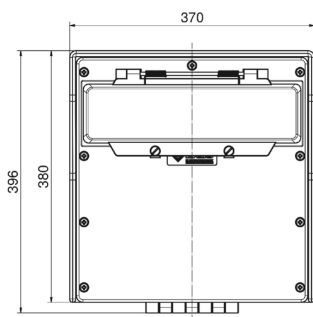
## Surface-mounting distributor, rubber - Distributor, solid rubber, wall mounting



Product description	
BALS-Prd.-Nr	5402049
EAN	4024941948685
Product category	Distributor, solid rubber, wall mounting
Protection degree	IP44
Colour of appliance	Housing bottom similar black RAL 9017, Housing top similar black RAL 9017
Height	380mm
Width	370mm
Depth	225mm

Product description	
RDF factor	0.59
Nominal current InA	63

Logistics data	
Weight/pcs	14.15 kg / Piece
Packaging	Carton
Content amount	1 ST
EAN	4024941948685
Length	800 mm
Width	600 mm
Height	340 mm
Weight	15.5 kg
Volume	163,200 ccm


**Tiefenmaß/ depth X (mm)**

Bezeichnung/ with	IP44	IP67
Schutzk. Steckdose/domestic socket	172	215
CEE 16A 3p	210	210
CEE 16A 4p	214	212
CEE 16A 5p	217	215
CEE 32A 3p/4p	221	223
CEE 32A 5p	223	224
CEE 63A 3p/4p/5p	239	241