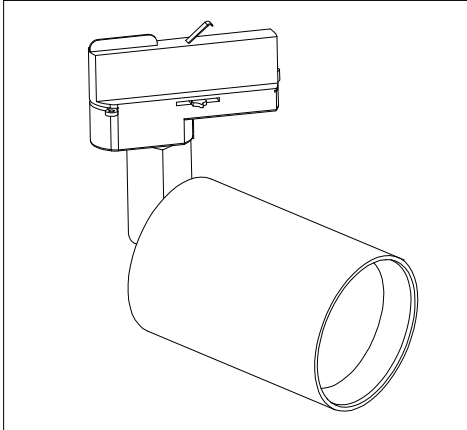
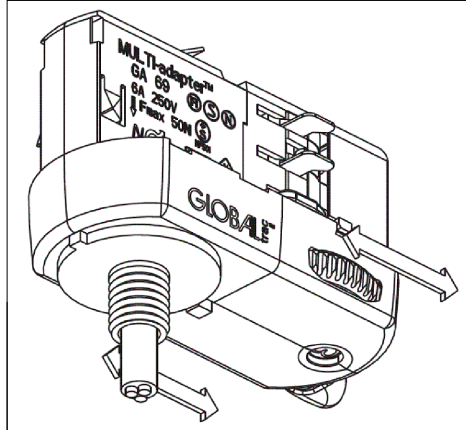


MIDPOINT C6 | 3-PHASE TRACK GLOBAL

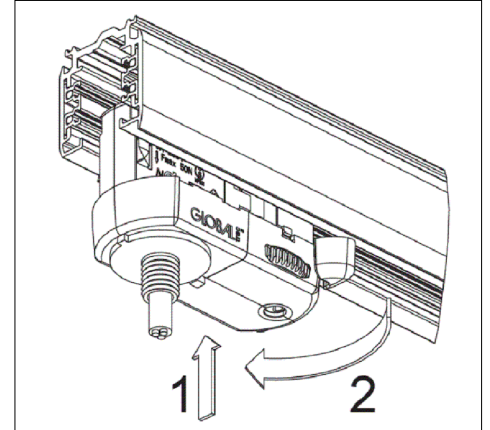
1. MONTAGE UND INSTALLATION | MOUNTING AND INSTALLATION:



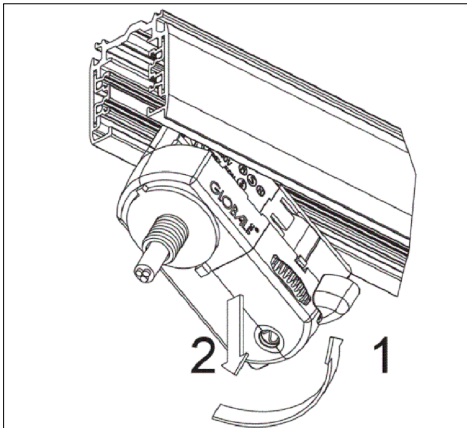
1. Bei allen Montagearbeiten Handschuhe tragen.
Use gloves when handling the fixture.



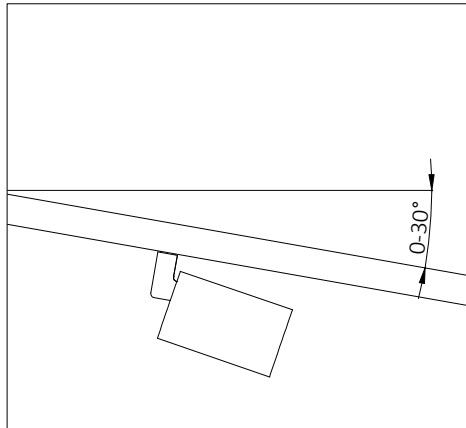
2. The choice of power phase.



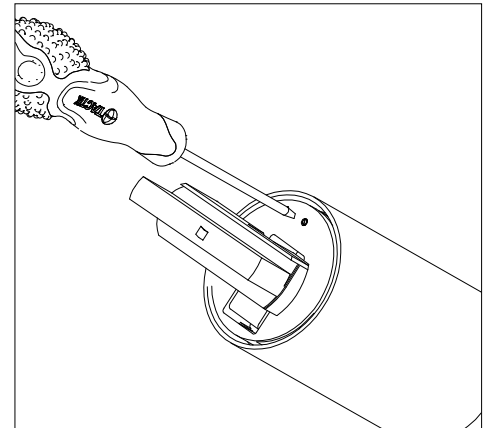
3. Mounting the adaptor in the rail.



4. Unmounting the adaptor from the rail.



5. Acceptable inclination of the rail.



6. Dimming.