

5

4

3

2

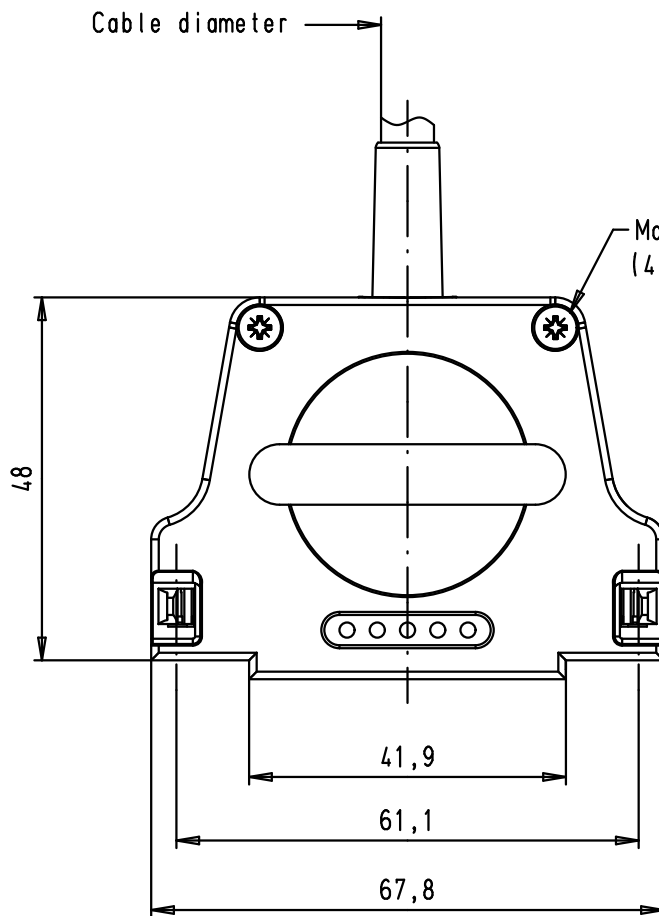
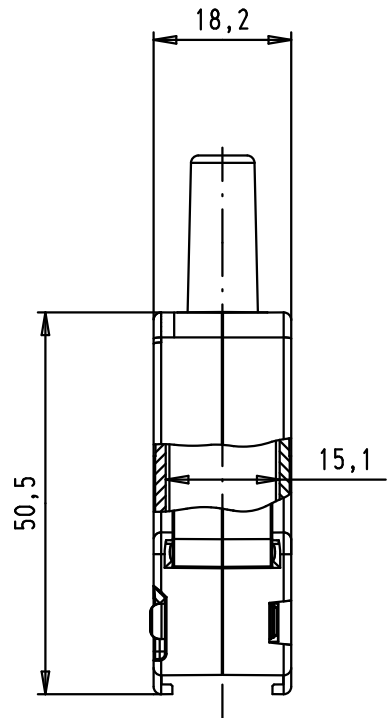
1

D

C

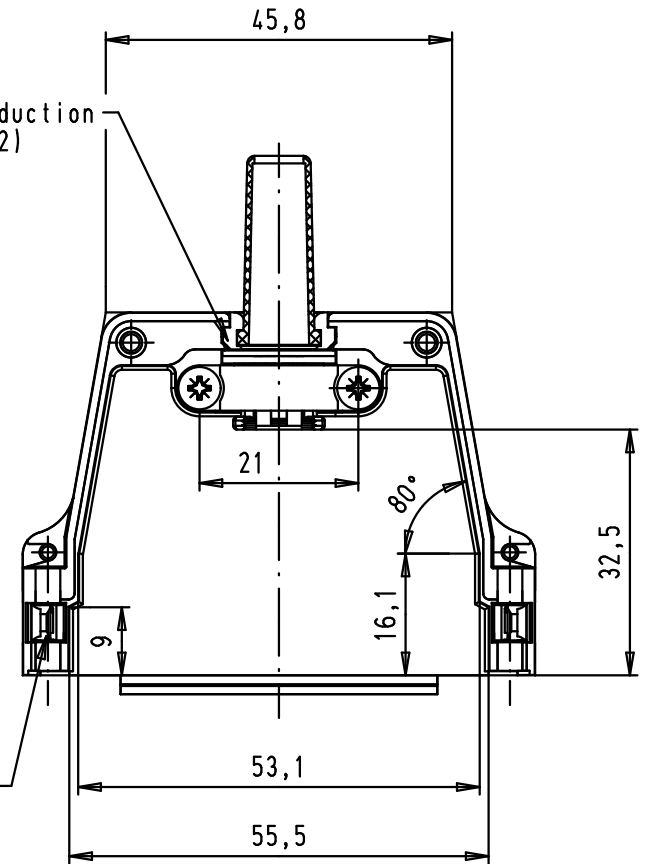
B

A



Max. torque = 0,4 N.m
(4 screws)

Cable reduction plate (x2)



Threaded insert

- Minimum cable diameter: 3
 Maximum cable diameter:
 - with rubber bushing: 9,7
 - without rubber bushing: 12
 - without reduction plate: 15

			Det.	Name	<p>All Dim. in mm Orig. Size DIN A 4</p>
			Detail.	27/06/08 PK	
			Insp.		
			Stand.		
EC00368	07/07/09	PK	HARTING EURL F-95972 Paris		
35063	27/06/08	PK			
Mod.	Det.	Name			

D-Sub, 50 poles, top entry, straight metal hood with threaded inserts, for cable to cable application with latching	Maßstab/ Scale
	1:1
TB 09 67 050 032X	Blatt/ Page
Sub.	1 / 1

09 67 050 0323	M3
09 67 050 0322	4-40 UNC
Part number	Threaded insert