

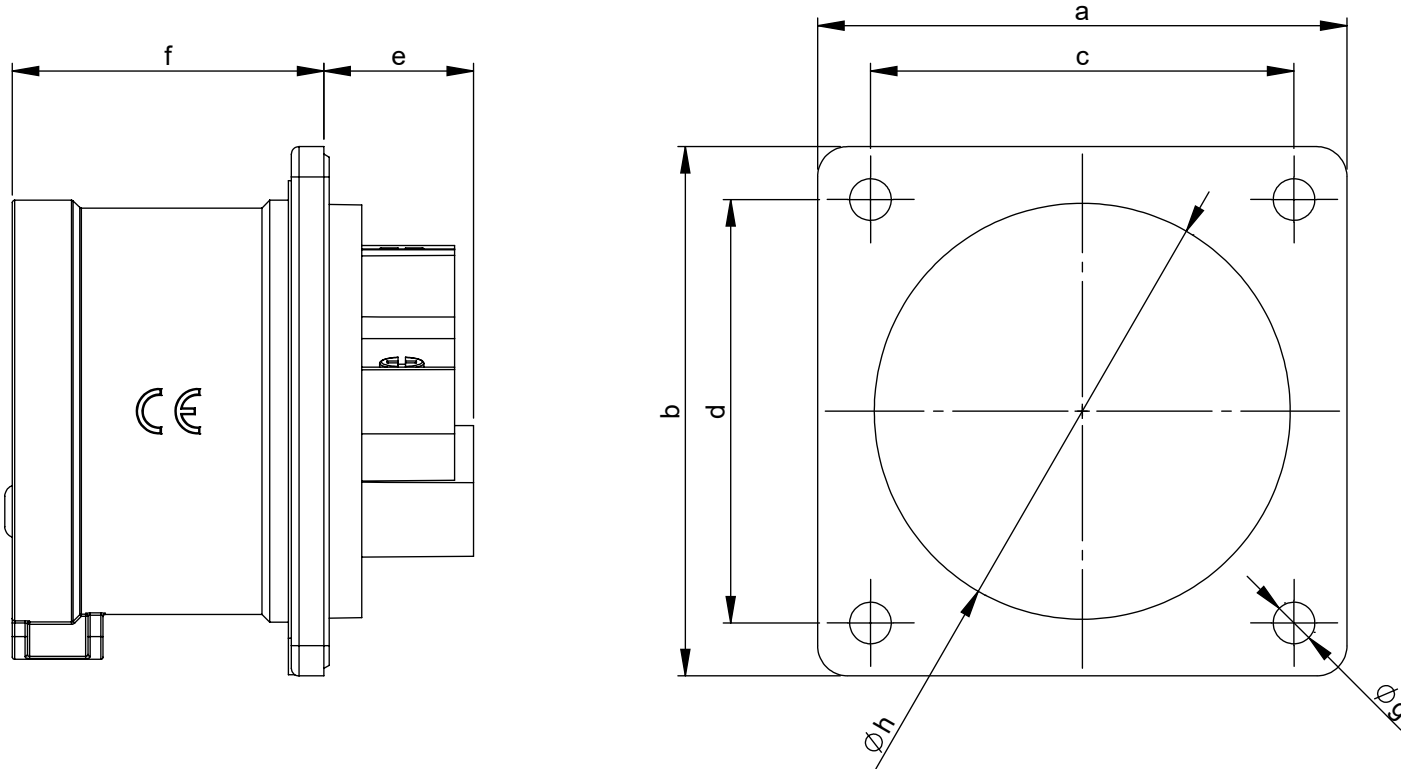
Maßskizze / dimensional drawing

Benennung: Anbaugerätestecker gerade IP44 70x70 UL

description: Flanged plug straight IP44 70x70 UL

Teilenummer / part number: 6139-*, 6149-*, 6159-*, 6239-*, 6249-*, 6259-*

PCE



Ampere	20			30		
Poles	2P3W (3p)	3P4W (4p)	4P5W (5p)	2P3W (3p)	3P4W (4p)	4P5W (5p)
a x b [mm] / [inch]	70 / 2.76					
c x d [mm] / [inch]	56 / 2.20					
e [mm] / [inch]	21 / 0.83	21 / 0.83	20 / 0.79	21 / 0.83	21 / 0.83	21 / 0.83
f [mm] / [inch]	42 / 1.65	42 / 1.65	42 / 1.65	51 / 2.01	51 / 2.01	51 / 2.01
g [mm] / [inch]	5.5 / 0.22					
h [mm] / [inch]	43 / 1.69	43 / 1.69	55 / 2.17	55 / 2.17	55 / 2.17	55 / 2.17