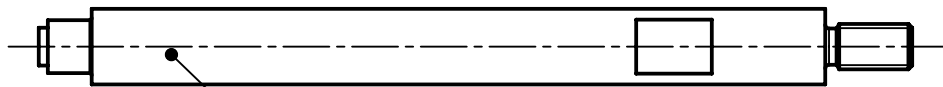
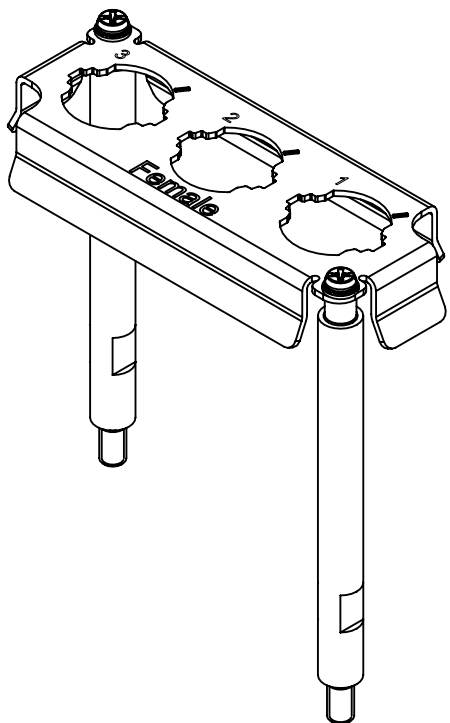
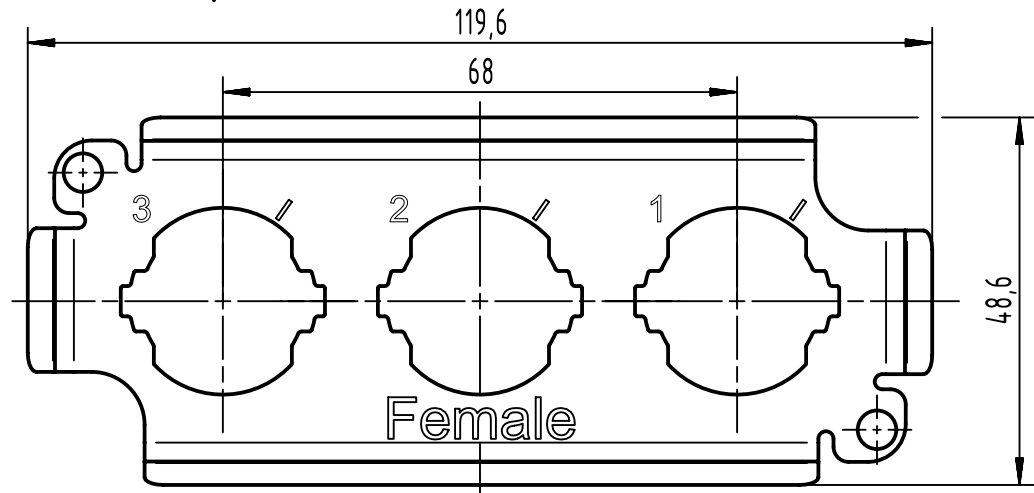


A

B

C

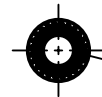
D



2x distance bolt (SW7)




2x M4 screw



2x washer SK S4

All components enclosed separately

	All rights reserved Department EL PD	All Dimensions in mm Original Size DIN A4	Scale 1:1	Free size tol.	Ref.	
		HARTING D-32339 Espelkamp	Created by 407807	Inspected by DINGB	Standardisation ROEBEN	Date 2023-12-07
Title frame Han 16HPR EasyCon Female 3xHC250					Doc-Key / ECM-Nr. 100686444/UGD/004/B 500000259421	
		Type TB	Number 09 40 016 9902		Rev. B	Page 1/1