

Connector - with screwless terminals, for harsh applications



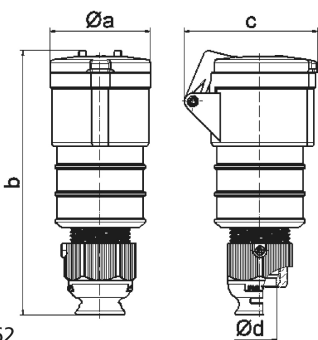
Product description	
BALS-Prd.-Nr	31971
EAN	4024941319713
product category (PG)	Connector QUICK-CONNECT TE
current (A)	32A
number of poles (P99)	3p
number of poles (P)	2P+PE
position of earth contact (H)	10 h
voltage (V)	> 50V

Product description	
frequency (HZ)	100 up to 300Hz
protection degree (SA)	IP44
colour code 1 (KF1)	green RAL 6002
Colour of appliance	Hinged lid green RAL 6002, Enclosure green RAL 6002, Cable gland grey RAL 7035
connection design (AT)	screwless spring terminals as cage clamp with Kontex-contact
maximum conductor size (LQ)	6,0 qmm
cable entry (KE)	Cable gland
Height	198mm
Width	66mm
Depth	91mm
material of enclosure (GM)	Polyamide
contact	The contact carrier is made of high temperature resistant material, the contacts are brass nickel plated

Additional technical properties	
	For cable diameter from 11 up to max. 23,5 mm, Multi-Grip cable gland with gasket, integrated cable clamp and additional water evacuation openings

Logistics data	
Weight/pcs	0.29 kg / Piece
Packaging	Bag
Content amount	1 ST

Logistics data	
EAN	4024941319713
Length	91 mm
Width	66 mm
Height	198 mm
Weight	0.291 kg
Volume	1,189.188 ccm
Packaging	Carton
Content amount	10 ST
EAN	4024941834766
Length	325 mm
Width	217 mm
Height	210 mm
Weight	3.106 kg
Volume	13,588.4 ccm



Ampere	16	16	16	32	32	32
Polzahl	3	4	5	3	4	5
a ø	51,0	58,0	65,0	66,5	66,5	72,0
b	156,0	162,0	168,0	195,0	195,0	198,0
c	72,0	78,0	86,0	89,0	89,0	99,0
d ø	18,0	18,0	21,0	23,0	23,0	27,0
Leiter mm ² min	1	1	1	2,5	2,5	2,5
Leiter mm ² max	2,5	2,5	2,5	6	6	6

3 MB 62