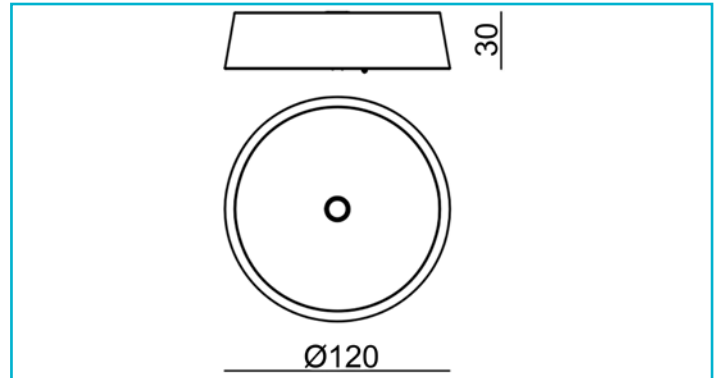


Art. no. 346025

Battery-powered light Head magnet light Miram, 2,2 W,
Touch DIM, 3000 K, white

 DEKOLIGHT



Housing Material	Die-cast aluminium
Housing Color	White
Material of Lens	Plastic
Protection Class	Protection class III/safety extra-low voltage
Operating Mode	Constant voltage
Rated Input	2.2 W
Rated Input Voltage	3.7 V/DC
Power Supply Unit incl.	No
Connection Type	USB type C
Dimmable	Yes
Control technology	Touch-Sensor
Motion Detector	No
Accumulator/Battery Operated	Yes
Rechargeable/battery included	Yes
Number of Accumulator/Battery	1
Type of Accumulator/Battery	Li-Ion battery type 18650
Accumulator/Battery Capacity	4400 mAh
Accumulator/Battery Voltage	3.7 V/DC
Accumulator Charging Time	5-7 h
Accumulator Operating Time	12 h
Light Source	LED, Light source not changeable
Lightcolor	Warm white (WW)
Color Temperature	3000 K
Colour Consistency	6 SDCM
Colour Rendering Index (Ra)	80
Rated Luminous Flux	196 lm
Luminous Efficiency	89.1 lm/W
Rated Angle of Reflection	47 Degree
Light Distribution	Asymmetric
Distribution Characteristic 120°	DLS
Height	30 mm

Diameter	120 mm
Product weight	355 g
Working Temperature	-20 to 45 °C
Storage Temperature	-40 to 60 °C
IP Protection Class	IP 54
Life Time L70 / B50	30000 h
Switching Cycles	15000
Power Consumption	3 kWh/1000h