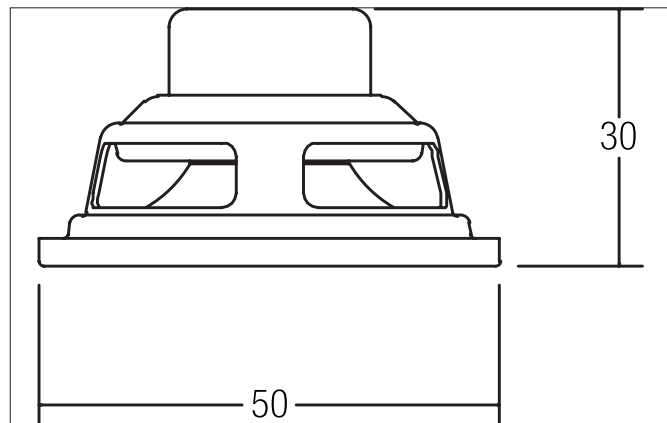
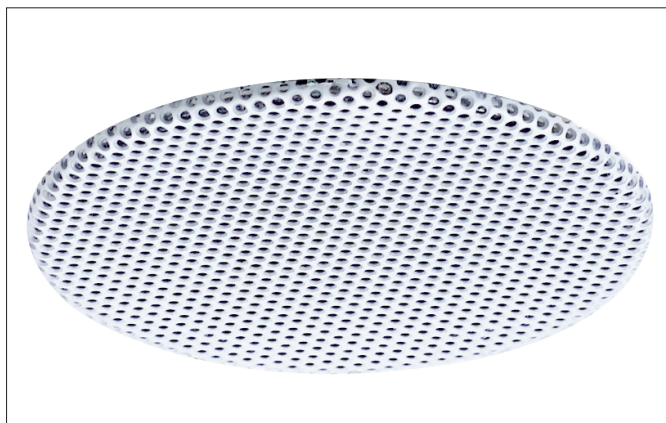


NONAH Speaker insert Ø 50 mm
Article no. 3096.07

Light.
For Generations.



IP20

Tender
Speaker insert Ø 50 mm, white, Round. In a compact design, for installation in tool-less rapid assembly systems. Nominal / music load capacity: 3 / 4 W, impedance: 20 Ohm. Up to 5 speakers can be connected in parallel to a channel of a Hifi amplifier. Sound pressure level: 1 W / 1 m: 82 dB (at nominal output of 87 dB), Transmission range (-3 db): 200 - 16,000 Hz, Transmission range (-10 db): 150 - 20,000 Hz, Model: Perforated plate cover in white (.07) or chrome-metal-plated (.02), Net weight: 0.06 kg. Connection using 2-core cable with connecting terminals. Usable in most LV halogen spots for QR-CBC51. Material: Steel Mounting method: Recessed mounting, Place of installation: Ceiling-mounted, Material: Perforated plate, Degree of protection: according to DIN EN 60529 IP20.

Article data	
Article no.	3096.07
GTIN	4250047738794
Series name	NONAH
Short description	Speaker insert Ø 50 mm
Material	Perforated plate
Colour	White
Type of surface	Matt
Shape	Round
Outer diameter	50 mm
Installation depth	30 mm
Hight	30 mm
Weight	0.048 kg

NONAH Speaker insert Ø 50 mm
Article no. 3096.07

Light.
For Generations.

Packing data	
Gross weight	0.075 kg
Length of packaging	70 mm
Packaging width	47 mm
Packaging height	81 mm
Disposal at end of life	<p>This product must not be disposed of with household waste. You are obliged, to dispose of such electrical waste separately.</p> <p>By disposing of electrical waste and other old or defective electronics separately, you support recycling or other forms of re-use. In that way you help to take care and to avoid that harmful substances get into the environment.</p>