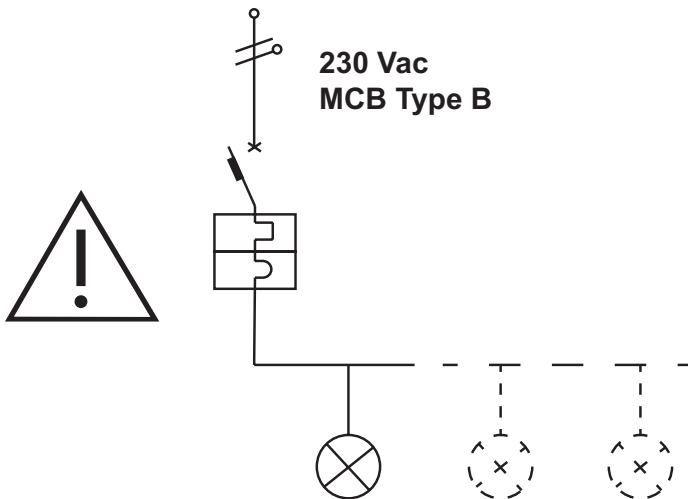


IP66
IP69

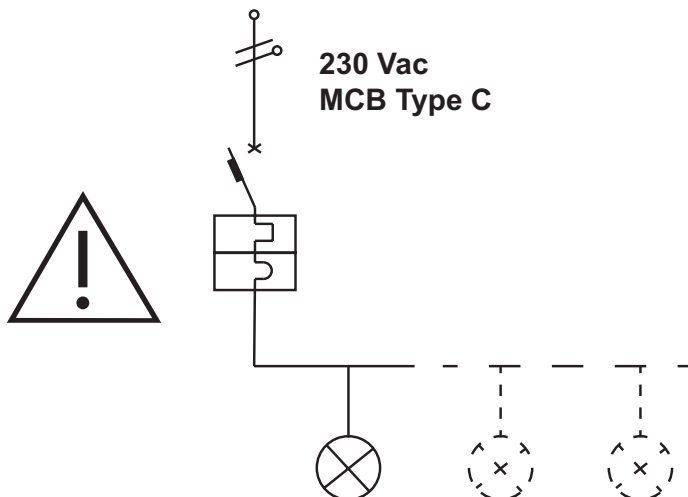


+40°C
-25°C

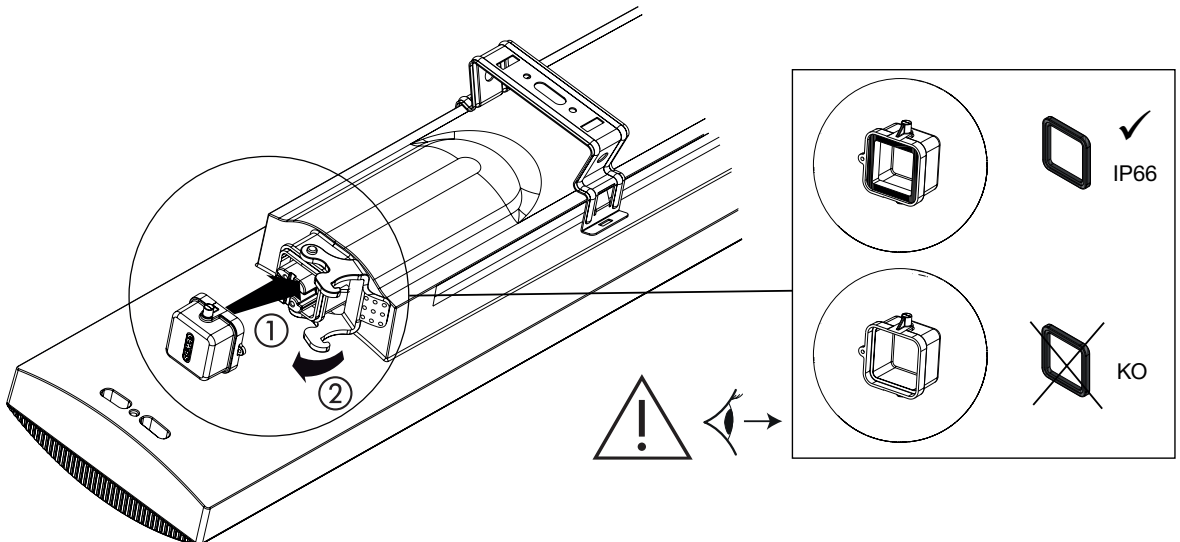
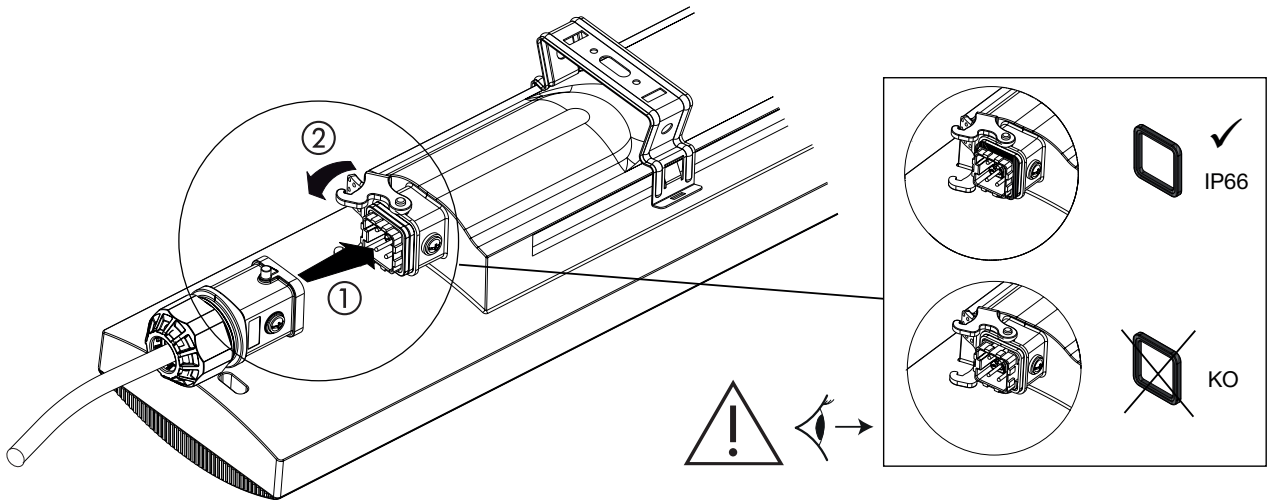
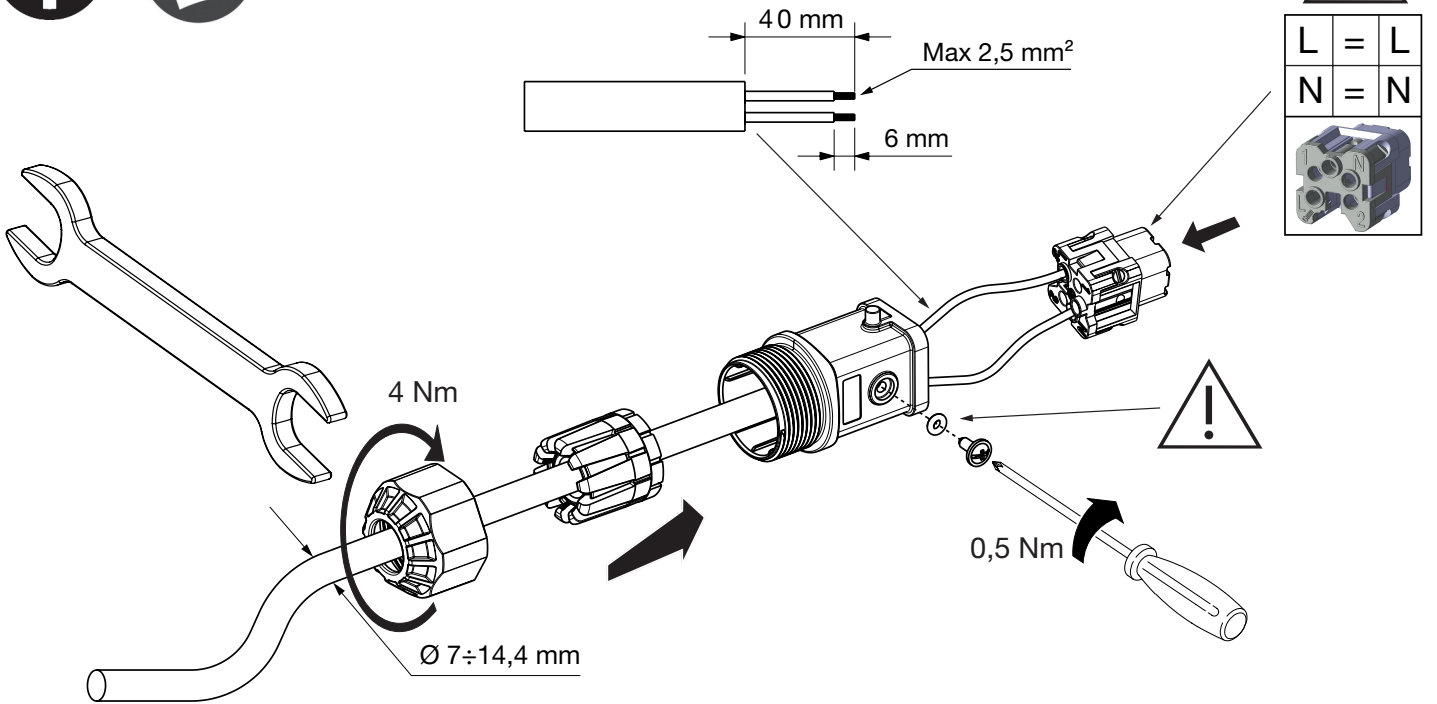
$t_a + 40^\circ\text{C}$

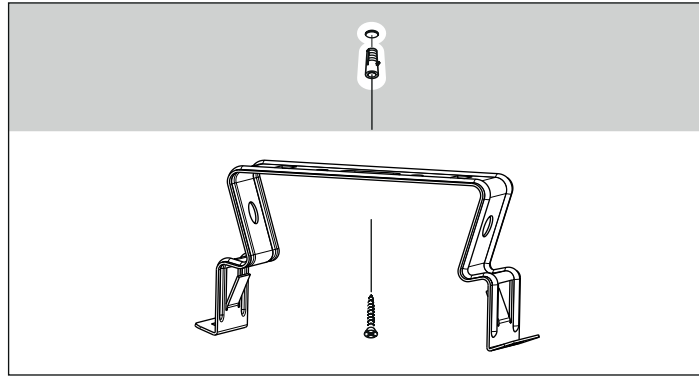


MCB current	10 A	16 A	20 A
max no. SMART [3]	13	24	30

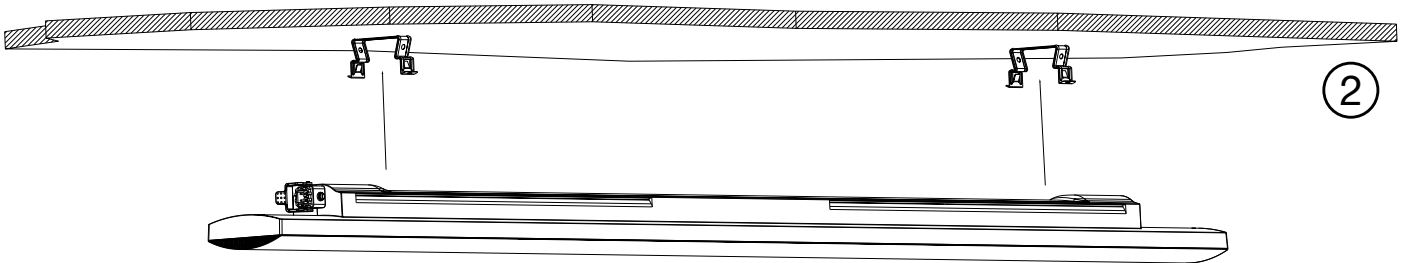


MCB current	10 A	16 A	20 A
max no. SMART [3]	25	40	50

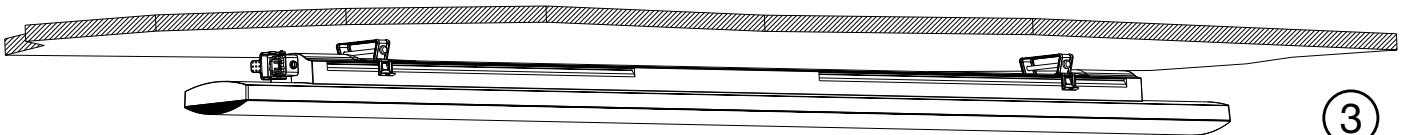




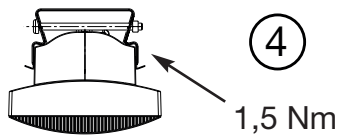
1



2

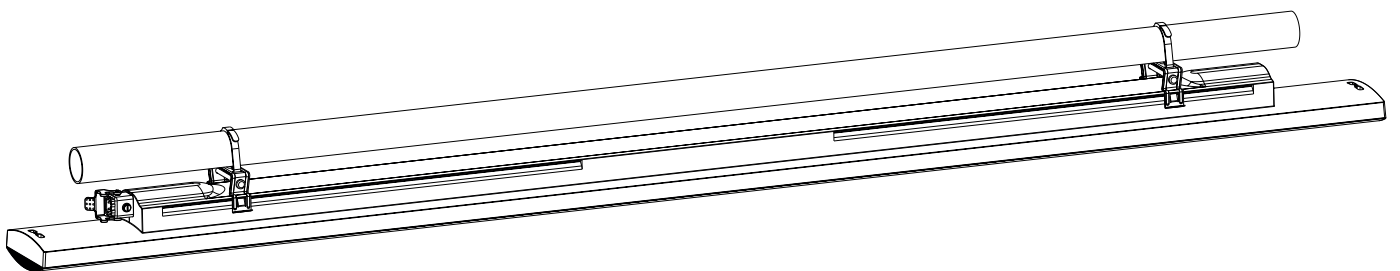
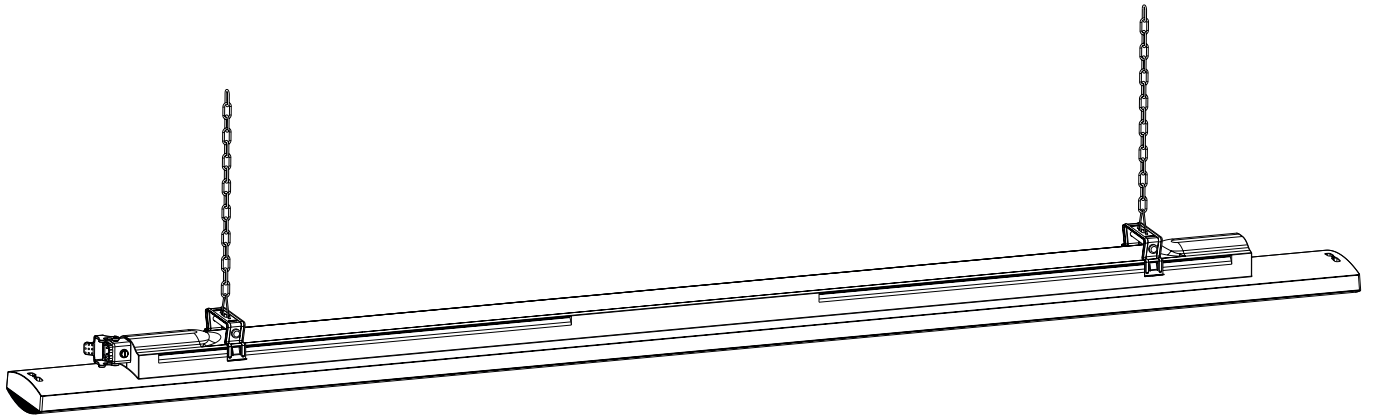
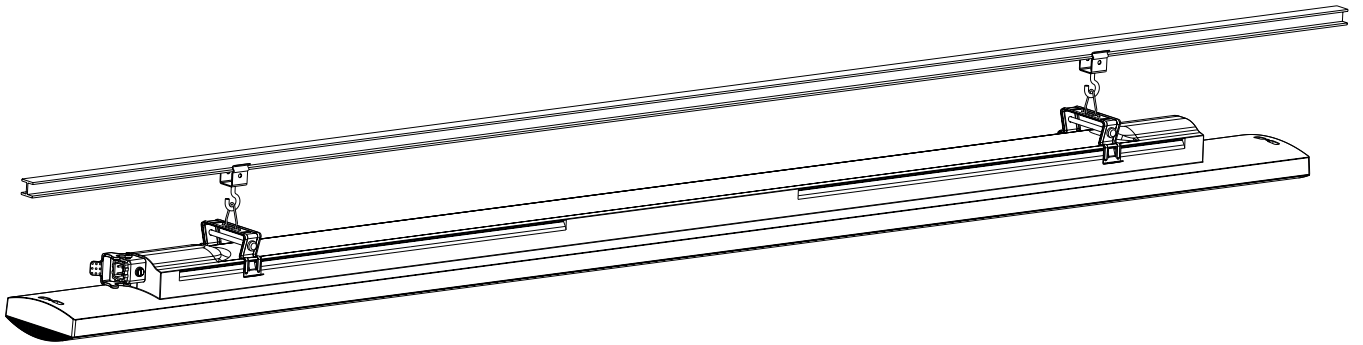
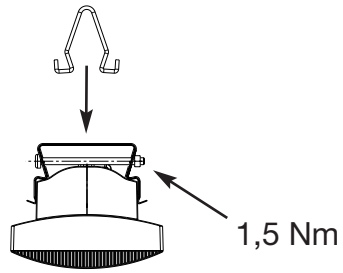


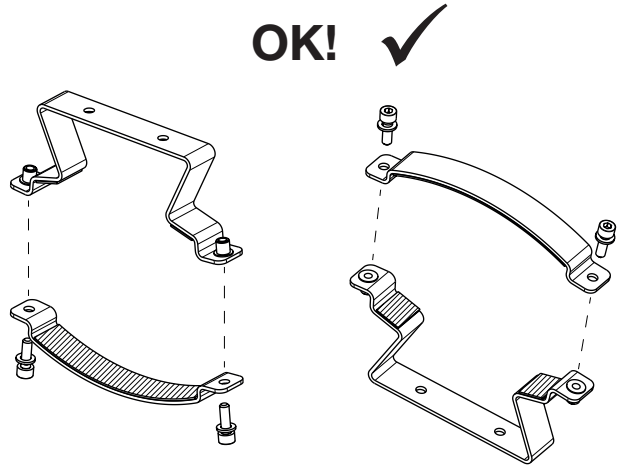
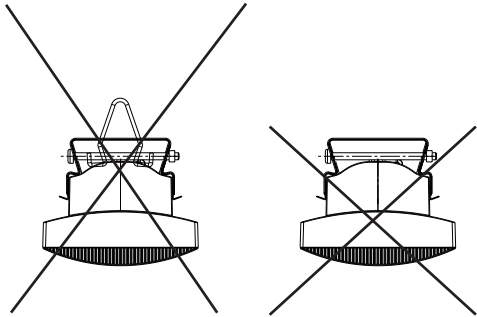
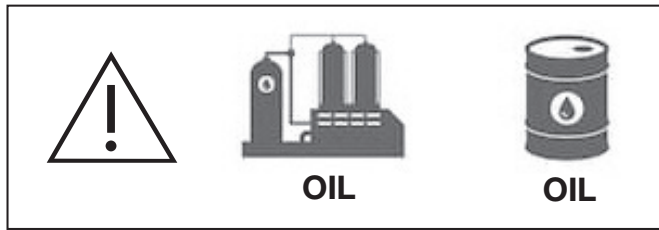
3



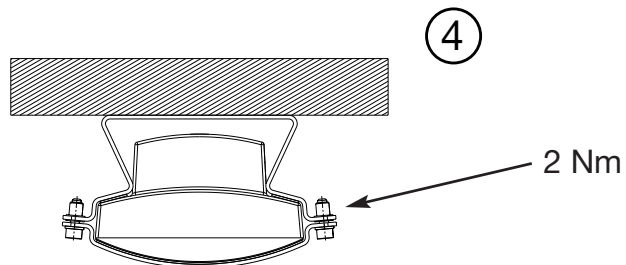
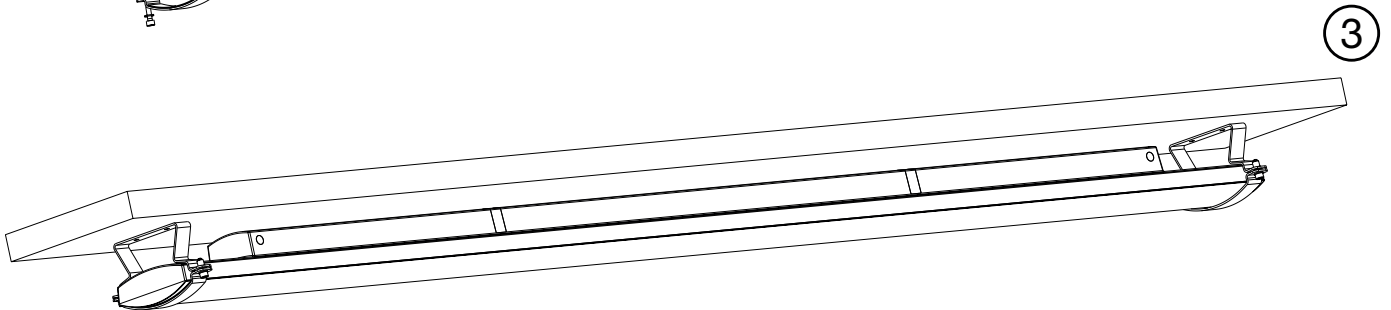
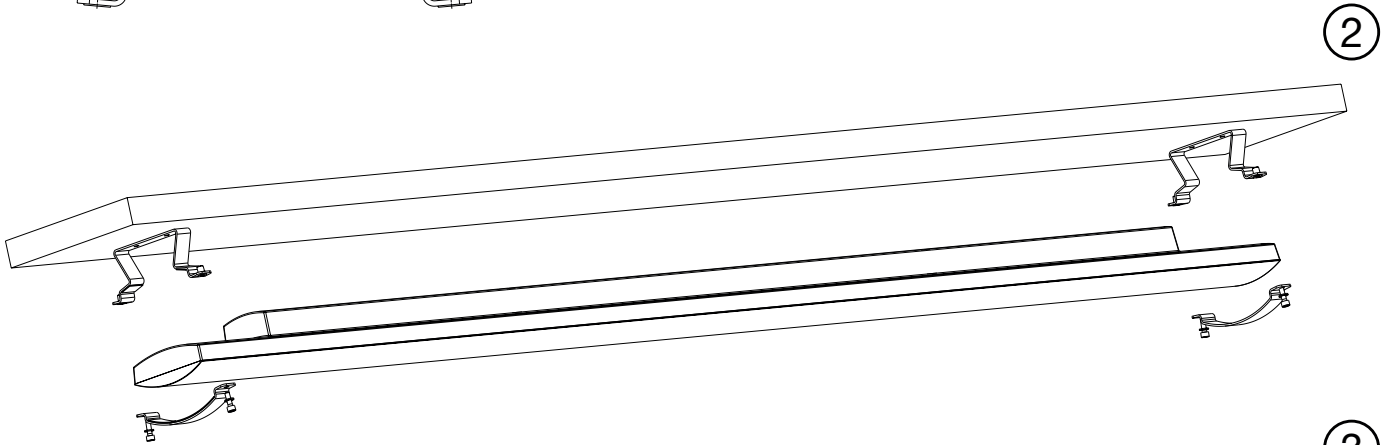
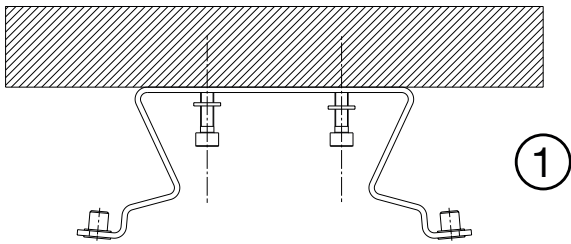
4

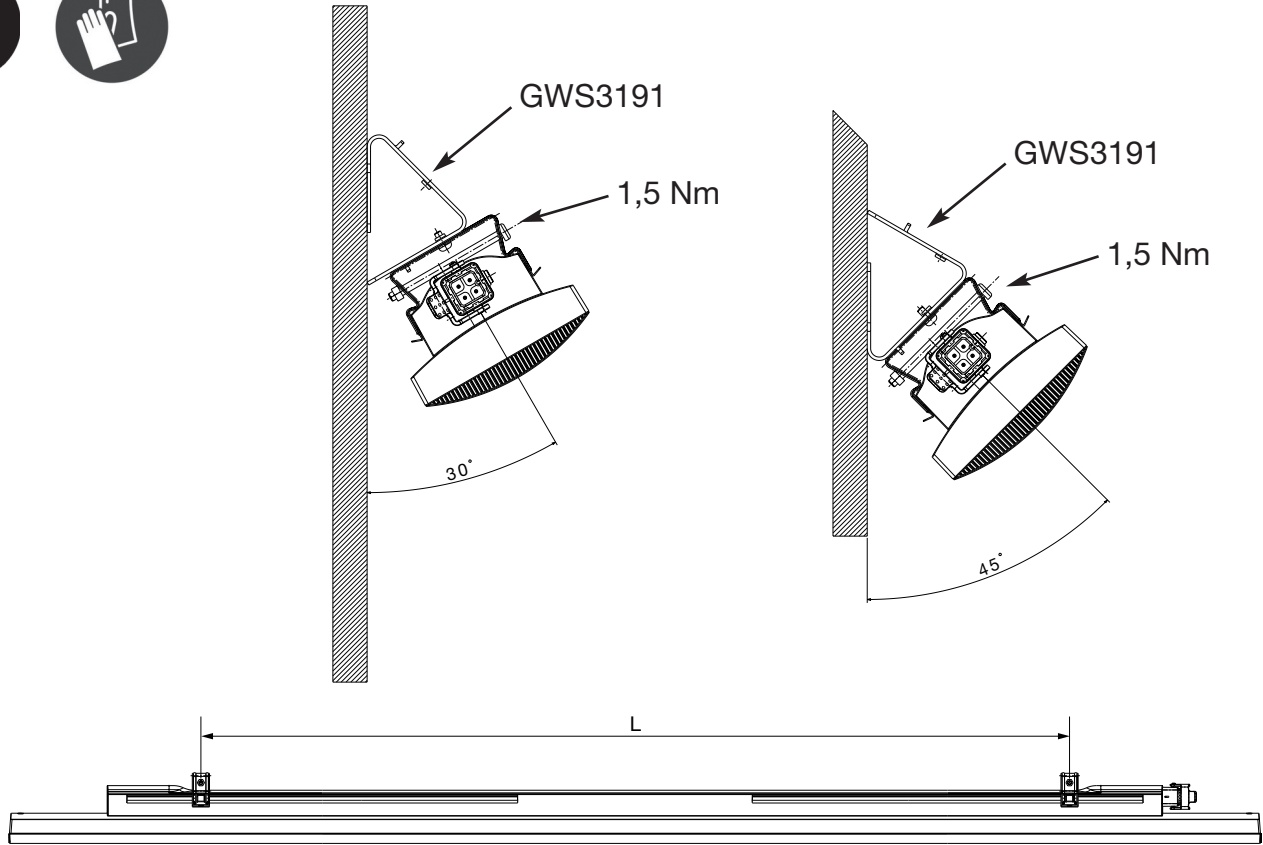
1,5 Nm



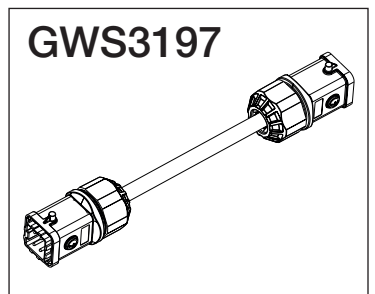
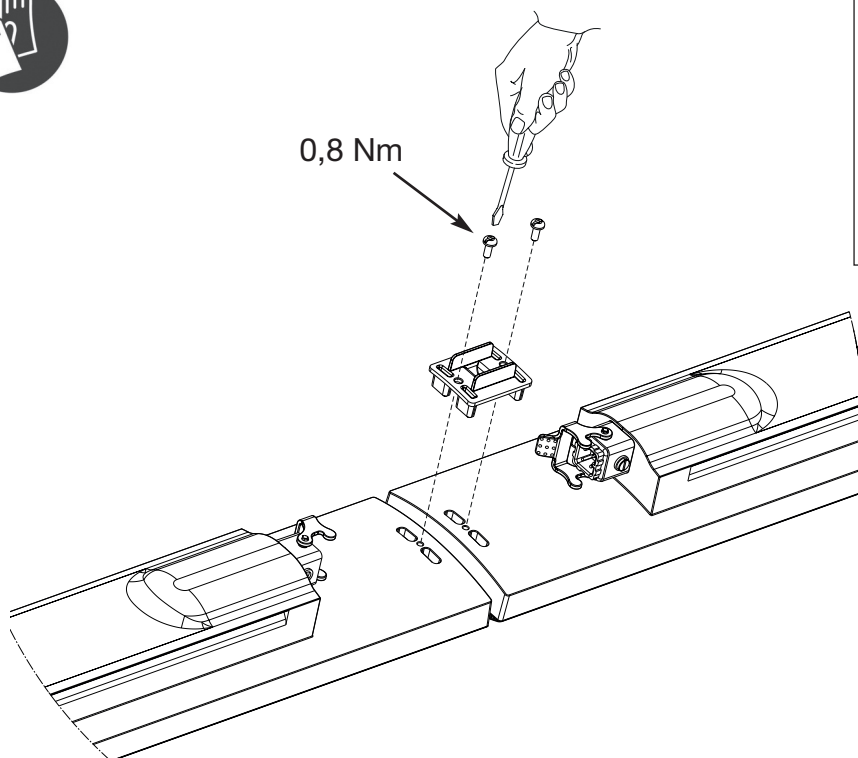


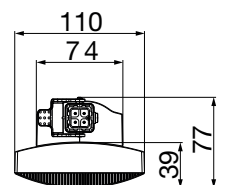
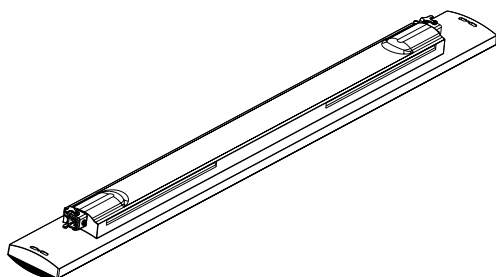
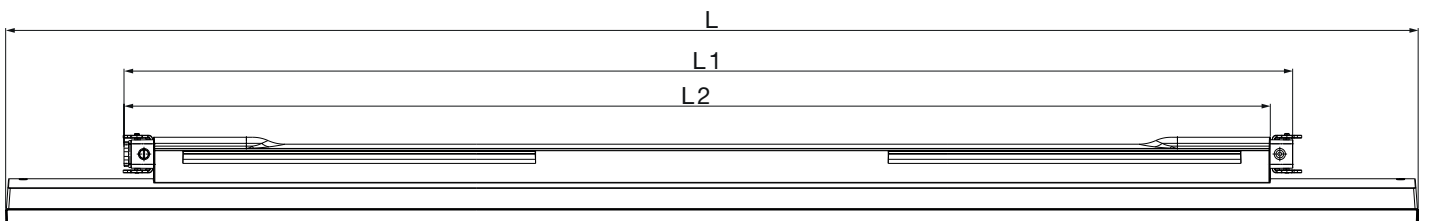
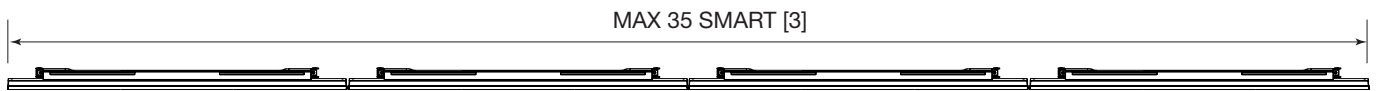
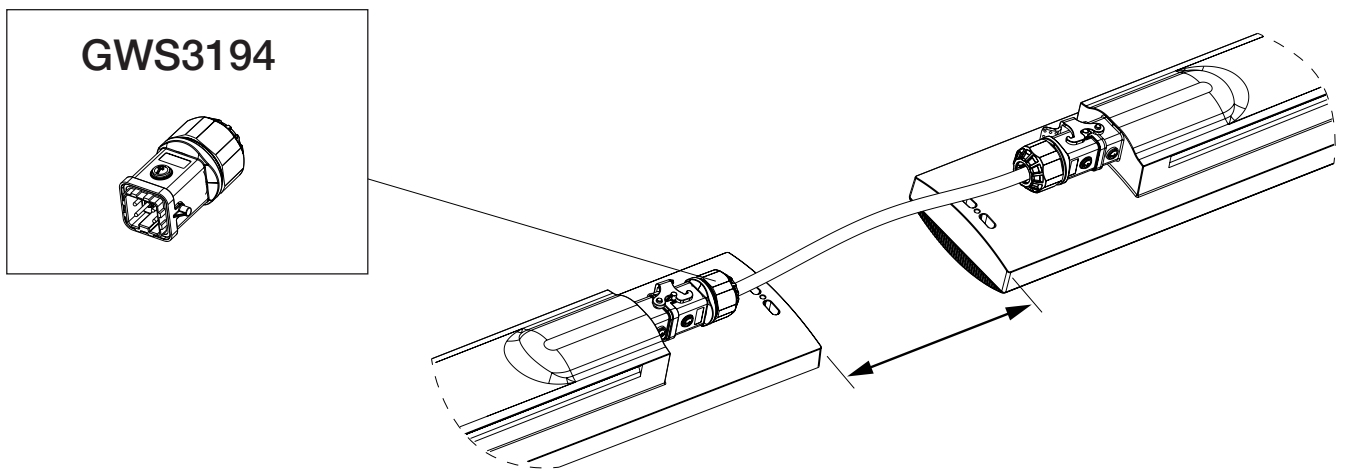
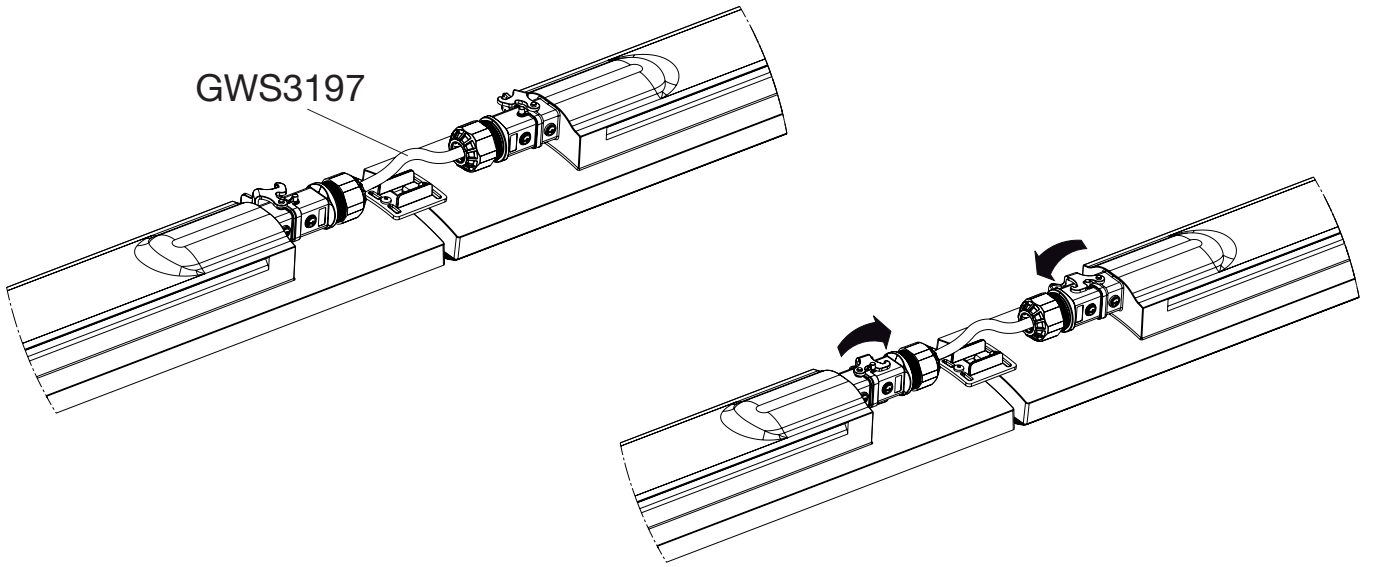
GWS3296





	L
SMART [3] 800	250÷475 mm
SMART [3] 1200	350÷910 mm

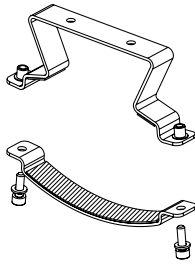




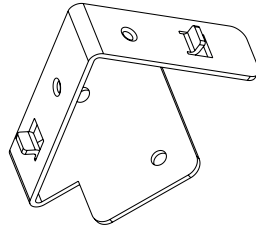
	L	L1	L2
SMART [3] 800	800	//	550
SMART [3] 1200	1200	//	970
SMART [3] 1200 LP	1200	990	//



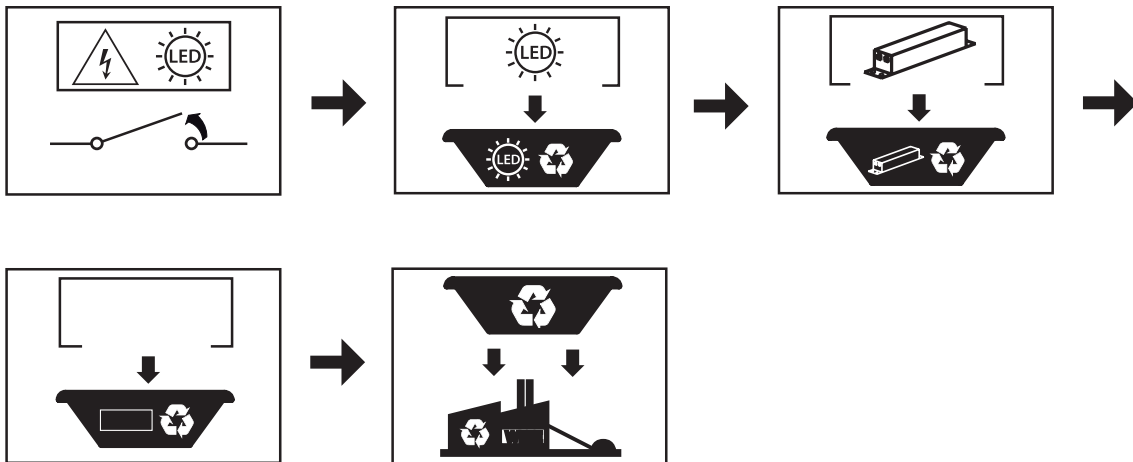
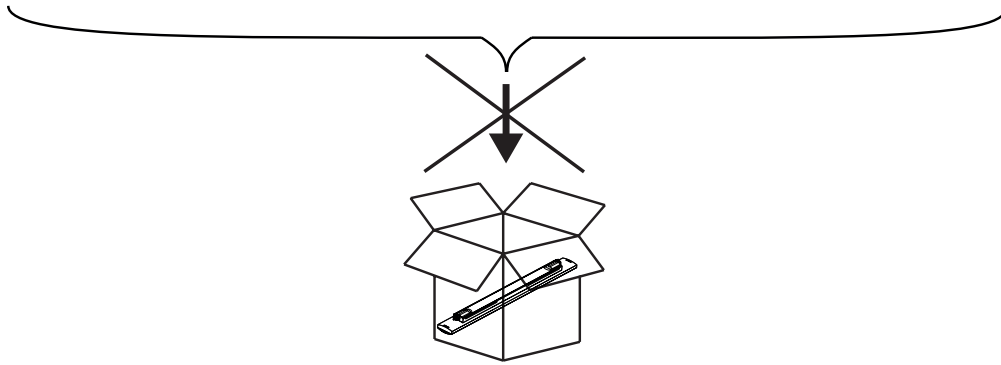
GWS3296



GWS3191



GWS3193



Punto di contatto indicato in adempimento ai fini delle direttive e regolamenti UE applicabili:
 Contact details according to the relevant European Directives and Regulations:
 GEWISS S.p.A. Via D.Bosatelli, 1 IT-24069 Cenate Sotto (BG) Italy tel: +39 035 946 111 E-mail: qualitymarks@gewiss.com

According to applicable UK regulations, the company responsible for placing the goods in UK market is:
 GEWISS UK LTD - Unity House, Compass Point Business Park, 9 Stocks Bridge Way, ST IVES
 Cambridgeshire, PE27 5JL, United Kingdom tel: +44 1954 712757 E-mail: gewiss-uk@gewiss.com



+39 035 946 111
 8:30 - 12:30 / 14:00 - 18:00
 lunedì - venerdì / monday - friday



www.gewiss.com

