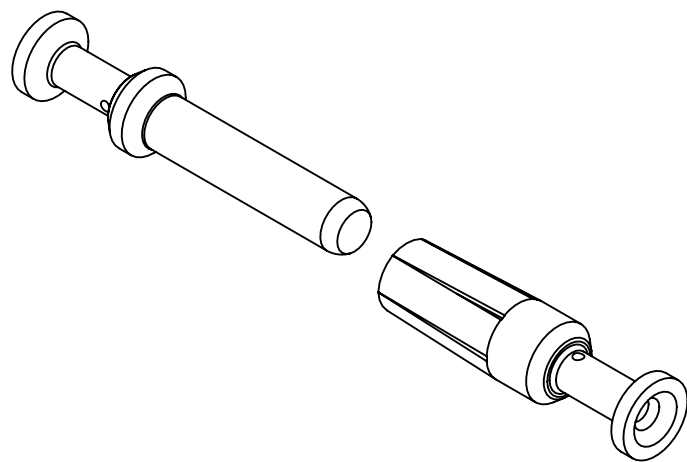
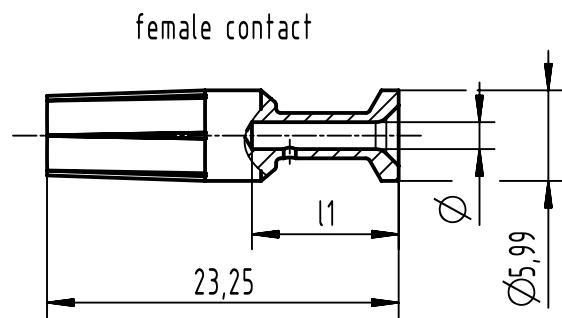
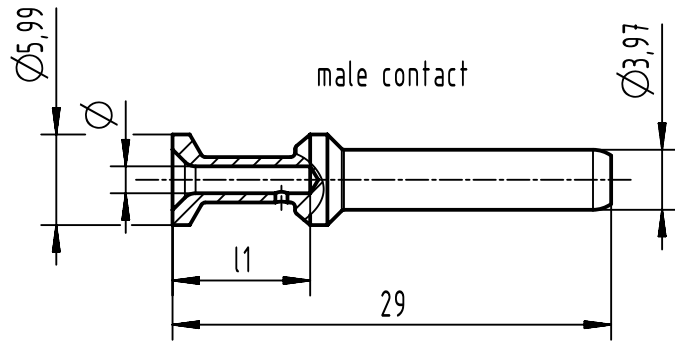


A

B

C

D



| part no. 09 32 000... | | wire gauge | | crimp hole depth l1 | stripping length | recommended crimping tools | | | | |
|-----------------------|----------------|-----------------|-----|---------------------|------------------|----------------------------|----------------|----------------|----------------|---|
| male contact | female contact | mm ² | AWG | | | 09 99 000 0888 | 09 99 000 0110 | 09 99 000 0001 | 09 99 000 0377 | |
| 6118 | 6228 | 3,53 | 6,0 | 10 | 9,7 | | | | X | |
| 6119 | 6221 | 2,88 | 4,0 | 12 | 9,7 | 9,5 | X | X | X | X |
| 6114 | 6224 | 1,78 | 1,5 | 16 | 9,7 | | X | X | X | |

| | | | | | |
|--|--|--|--------------------------|-----------------------------|--|
| All Dimensions in mm Original Size DIN A4 | | Scale 2:1 | Free size tol. | | Ref. |
| All rights reserved Department EL PD | | Created by HELLMANN | Inspected by RIEPE | Standardisation SAP_WFRT | Date 2022-01-24 |
| HARTING D-32339 Espelkamp | | Title Han C-SMC-male/female contacts-crimp-Au | | | State Final Release |
| | | Type TB | Number 09 32 000 6XXX | | Doc-Key / ECM-Nr. 100821744/UGD/011/H 500000209279 |
| | | | | Rev. H | Page 1/1 |