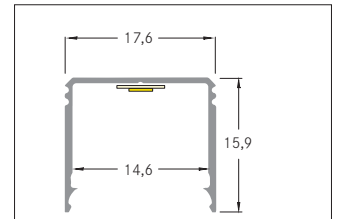
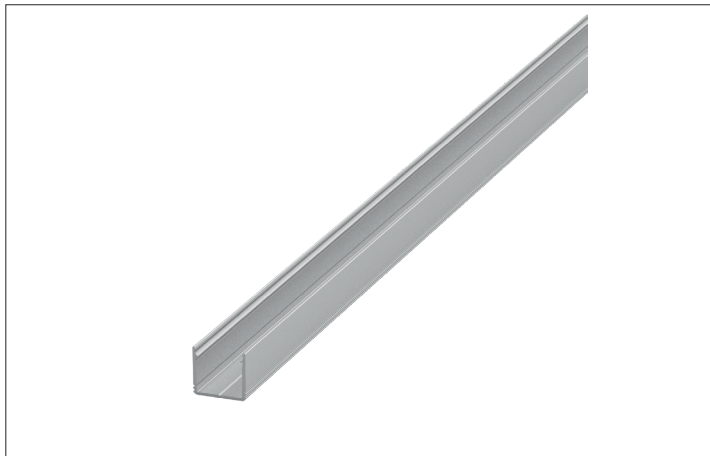


BB-Surface-mounted profile, high
Artikel-Nr. 53381261



BB-Surface-mounted profile, high. For optimal attachment of the profile this holders are suitable 53040000. With the use of profile covers 53489071 53489072 53489073 53489001 53489002 53489003 the additional mechanical protection and optimal light distribution can be achieved. The associated end cap set is under 53039260 available. Mounting method: Mounting profile. Material: Aluminium, dimensions profile: length: 1.000 mm x width: 17,6 mm x height: 15,9 mm .

Artikel-Nr.	53381261		
Stand:	06.12.2021 14:03		
Length	1,000 mm	Width	17,6 mm
Material	Aluminium	Aufbauhöhe	15,9 mm