

## Connector - with screwless terminals, for harsh applications



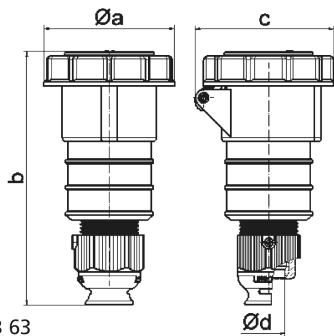
Product description	
BALS-Prd.-Nr	31304
EAN	4024941313049
Product category	Connector QUICK-CONNECT TE
Current	16A
Number of poles	4p
Arrangement of phases	3P+PE
Position of earth contact	2 h
Voltage	> 50V~

Product description	
Frequency	> 300 - 500Hz
Protection degree	IP67
Colour code	green RAL 6002
Colour of appliance	Hinged lid green RAL 6002, Enclosure green RAL 6002, Bayonet ring grey RAL 7035, Cable gland grey RAL 7035
Connection design	screwless spring terminals as cage clamp with Kontex-contact
Maximum conductor size	2,5 qmm
Cable entry	Cable gland
Height	160mm
Width	79mm
Depth	84mm
Material of enclosure	Polyamide
Contacts	The contact carrier is made of high temperature resistant material, the contacts are brass nickel plated

Additional technical properties	
	For cable diameter from 8 up to max. 18 mm, Multi-Grip cable gland with gasket, integrated cable clamp and additional water evacuation openings

Logistics data	
Weight/pcs	0.23 kg / Piece
Packaging	Bag

Logistics data	
Content amount	1 ST
EAN	4024941313049
Length	84 mm
Width	79 mm
Height	160 mm
Weight	0.231 kg
Volume	1,061.76 ccm
Packaging	Carton
Content amount	10 ST
EAN	4024941835244
Length	258 mm
Width	183 mm
Height	212 mm
Weight	2.452 kg
Volume	8,750 ccm

	<b>Ampere</b>	16	16	16	32	32	32
	<b>Polzahl</b>	3	4	5	3	4	5
a ø	70,5	78,0	86,5	94,0	94,0	101,5	
b	161,0	161,0	168,0	196,0	196,0	200,0	
c	77,0	83,0	93,0	99,0	99,0	107,0	
d ø	18,0	18,0	21,0	23,0	23,0	27,0	
Leiter mm <sup>2</sup> min	1	1	1	2,5	2,5	2,5	
Leiter mm <sup>2</sup> max	2,5	2,5	2,5	6	6	6	