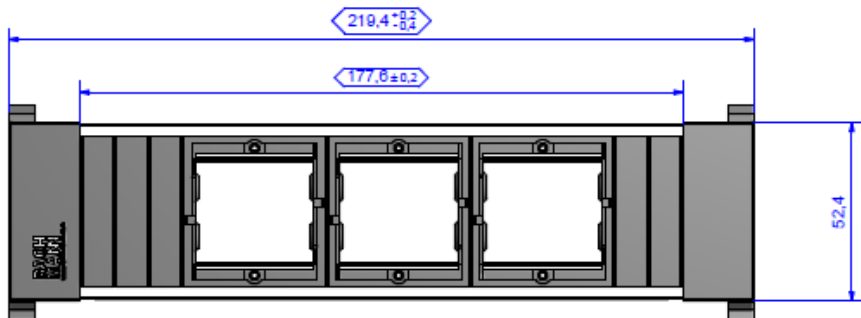
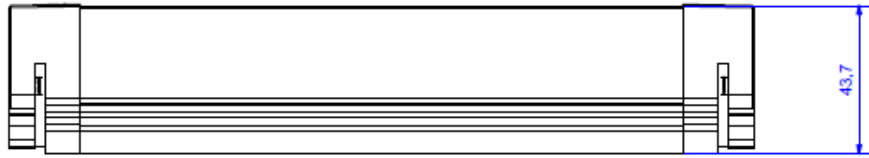
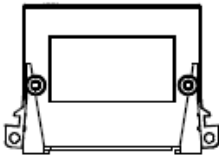


Skizze / Bild



Power Frame 3xAbdeckungen für Custom Module Ohne Stromanschluss	Power Frame 3xCover for Custom Modules Without power connection
Custom Module: <ul style="list-style-type: none"> • 3x Abdeckung für Custom Module 	Custom Module: <ul style="list-style-type: none"> • 3x cover for Custom Module
Anschluss: <ul style="list-style-type: none"> • Ohne Stromanschluss 	Connection: <ul style="list-style-type: none"> • Without power connection
Material: <ul style="list-style-type: none"> • Kunststoff: PA6 GF 30 V1 , Glühdraht-Prüfung bis 850°C 	Material: <ul style="list-style-type: none"> • Plastic: PA6 GF 30 V1, glow wire resistant up to 850°C
Abmessungen: <ul style="list-style-type: none"> • 219,6x52,4x44mm 	Measurements: <ul style="list-style-type: none"> • 219,6x52,4x44mm
Lieferform: <ul style="list-style-type: none"> • In Polybeutel verpackt 	Packing: <ul style="list-style-type: none"> • In polybag packed
Lieferumfang: <ul style="list-style-type: none"> • 1x Steckdoseneinheit 	Extent of delivery: <ul style="list-style-type: none"> • 1x power unit