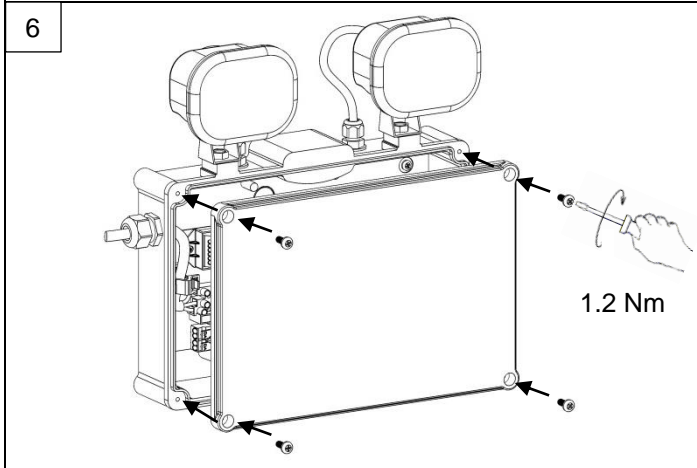
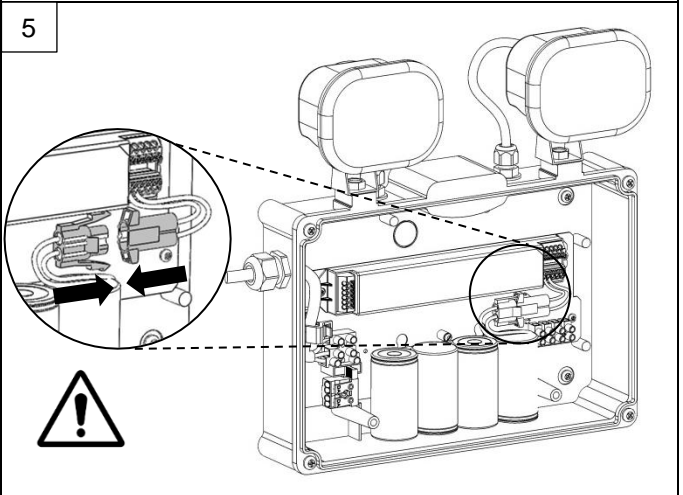
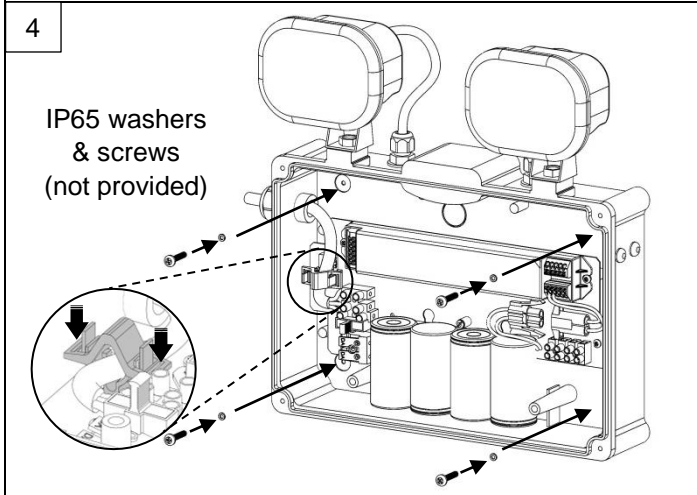
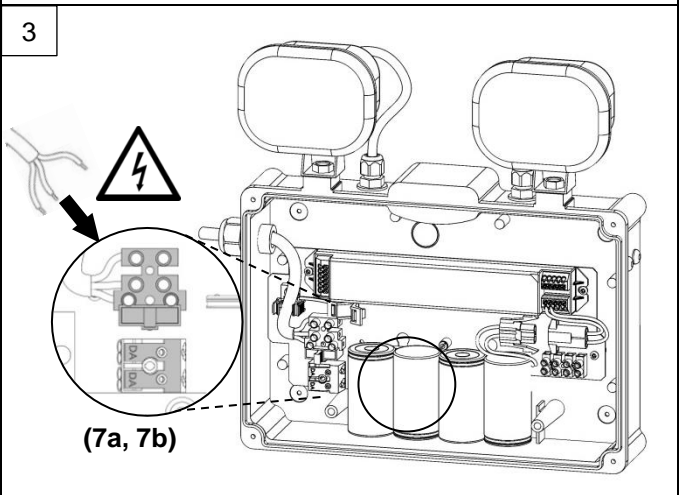
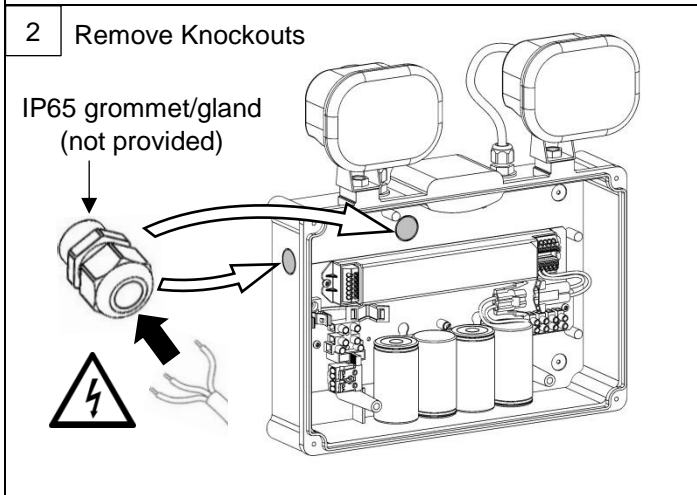
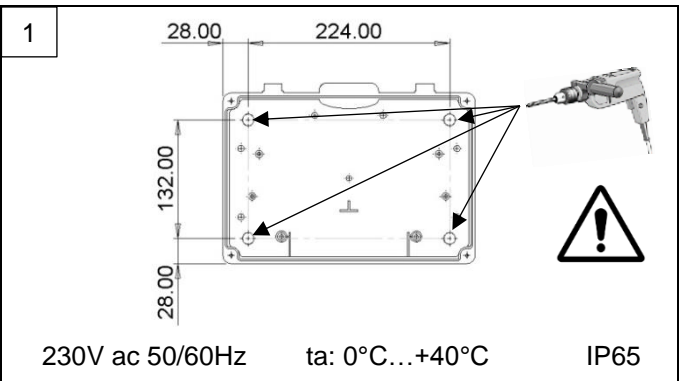
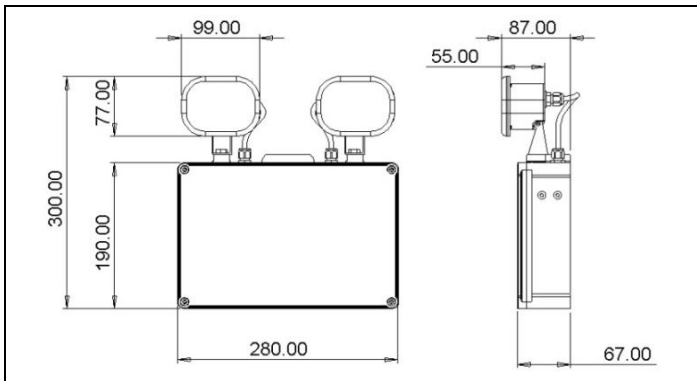


INSTALLATION INSTRUCTIONS

Voyager Twinspot
96629824 / 96629825

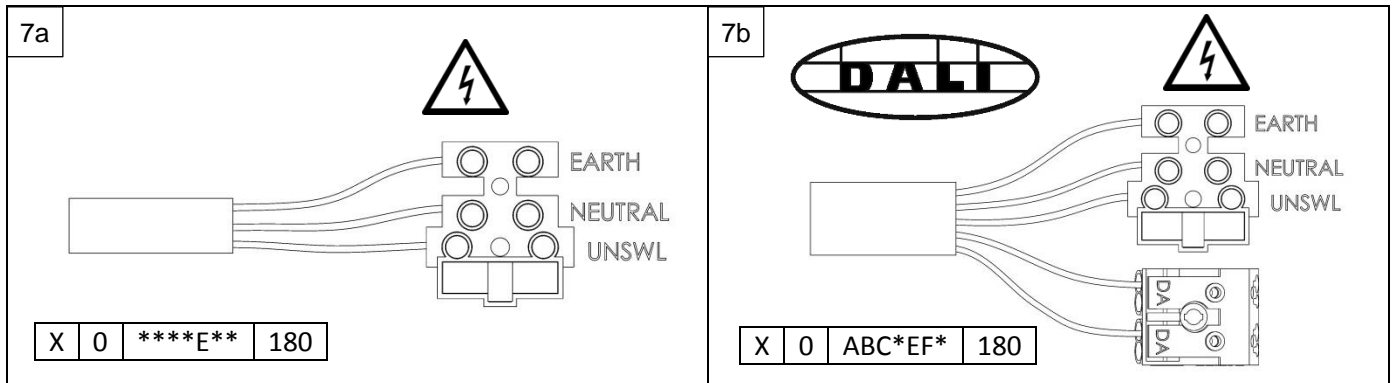
THORN



INSTALLATION INSTRUCTIONS

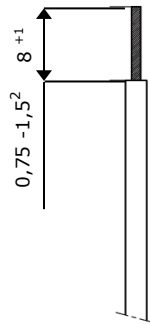
Voyager Twinspot
96629824 / 96629825

THORN



Cable Size & Strip Length

0.75 - 1.5mm²
Solid conductor or 7 stranded
wire ends



Lampheads should be positioned and set according to a verified lighting scheme, and should be installed out of arms reach.

The LED light source is non-replaceable. Once end-of-life is reached, the whole luminaire will need to be replaced.

Battery Replacement: 96630380

