

## Connector - with screwless terminals, for harsh applications



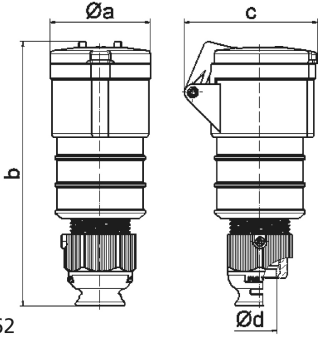
Product description	
BALS-Prd.-Nr	31681
EAN	4024941316811
Product category	Connector QUICK-CONNECT TE
Current	16A
Number of poles	4p
Poles	3P+PE
Position of earth contact	4 h
Voltage	100 up to 130V

Product description	
Frequency	50 and 60Hz
Protection degree	IP44
Colour code	yellow RAL 1012
Colour of appliance	Hinged lid yellow RAL 1012, Enclosure yellow RAL 1012, Cable gland grey RAL 7035
Connection design	screwless spring terminals as cage clamp with Kontex-contact
Maximum conductor size	2,5 qmm
Cable entry	Cable gland
Height	162mm
Width	58mm
Depth	78mm
Material of enclosure	Polyamide
Contact	The contact carrier is made of high temperature resistant material, the contacts are brass nickel plated

Additional technical properties	
	For cable diameter from 8 up to max. 18 mm, Multi-Grip cable gland with gasket, integrated cable clamp and additional water evacuation openings

Logistics data	
Weight/pcs	0.167 kg / Piece
Packaging	Bag
Content amount	1 ST

Logistics data	
EAN	4024941316811
Length	78 mm
Width	58 mm
Height	162 mm
Weight	0.168 kg
Volume	732.888 ccm
Packaging	Carton
Content amount	10 ST
EAN	4024941968218
Length	245 mm
Width	177 mm
Height	185 mm
Weight	1.803 kg
Volume	7,140 ccm



3 MB 62

Ampere	16	16	16	32	32	32
Polzahl	3	4	5	3	4	5
a ø	51,0	58,0	65,0	66,5	66,5	72,0
b	156,0	162,0	168,0	195,0	195,0	198,0
c	72,0	78,0	86,0	89,0	89,0	99,0
d ø	18,0	18,0	21,0	23,0	23,0	27,0
Leiter mm <sup>2</sup> min	1	1	1	2,5	2,5	2,5
Leiter mm <sup>2</sup> max	2,5	2,5	2,5	6	6	6