

Wall mounting socket outlet - housing dimensions 460x180



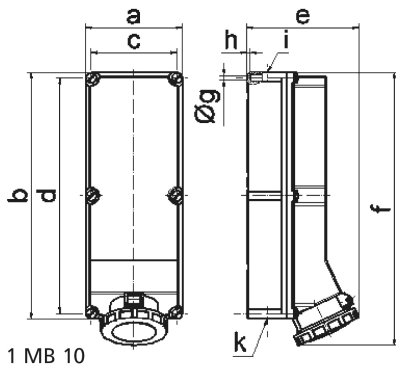
| Product description | |
|-------------------------------|-----------------------------|
| BALS-Prd.-Nr | 11478 |
| EAN | 4024941114783 |
| product category (PG) | Wall mounting socket outlet |
| current (A) | 125A |
| number of poles (P99) | 4p |
| number of poles (P) | 3P+PE |
| position of earth contact (H) | 7 h |
| voltage (V) | 480 up to 500V |

| Product description | |
|-----------------------------|--|
| frequency (HZ) | 50 and 60Hz |
| protection degree (SA) | IP67 |
| colour code 1 (KF1) | black RAL 9005 |
| Colour of appliance | Hinged lid black RAL 9005, Bayonet ring grey RAL 7035, Housing screws grey RAL 7035, Housing bottom grey RAL 7035, Housing top grey RAL 7035 |
| connection design (AT) | screw terminal as box terminal with Kontex-contact |
| maximum conductor size (LQ) | 70.0 qmm |
| cable entry (KE) | top entry M40 bottom entry M50/M40 |
| Height | 510mm |
| Width | 180mm |
| Depth | 208mm |
| dimension of enclosure (GG) | 460x180 mm (HxW) |
| material of enclosure (GM) | Polycarbonate |
| contact | The contact carrier is made of high temperature resistant material, the contacts are brass nickel plated |

| Additional technical properties | |
|---------------------------------|--|
| | The cable entry is one at top and two at bottom open |

| Logistics data | |
|----------------|------------------|
| Weight/pcs | 2.865 kg / Piece |
| Packaging | Carton |

| Logistics data | |
|----------------|---------------|
| Content amount | 1 ST |
| EAN | 4024941114783 |
| Length | 560 mm |
| Width | 215 mm |
| Height | 260 mm |
| Weight | 3.327 kg |
| Volume | 26,400 ccm |



| Ampere | 125 | 125 | 125 | | | |
|----------------------------|--------|--------|--------|--|--|--|
| Polzahl | 3 | 4 | 5 | | | |
| a | 180,0 | 180,0 | 180,0 | | | |
| b | 460,0 | 460,0 | 460,0 | | | |
| c | 160,0 | 160,0 | 160,0 | | | |
| d | 440,0 | 440,0 | 440,0 | | | |
| e | 208,0 | 208,0 | 208,0 | | | |
| f | 510,0 | 510,0 | 510,0 | | | |
| g ø | 8,3 | 8,3 | 8,3 | | | |
| h | 6,5 | 6,5 | 6,5 | | | |
| i | M40 | M40 | M40 | | | |
| k | M40/50 | M40/50 | M40/50 | | | |
| Leiter mm ² min | 25 | 25 | 25 | | | |
| Leiter mm ² max | 70 | 70 | 70 | | | |