

S51000

Product Features

- Straight forward installation
- Dimming range 1%...100%
- Suitable for 1-10V LED dimming driver
- Switch function
- PC material, high flame retardant
- Fashion, and easy to use
- Used in the bedroom, restaurant, bars and other places need dimming control

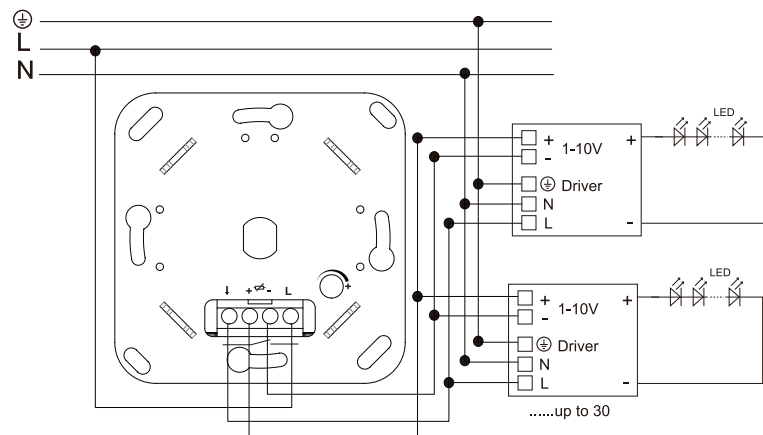
Technical Data

Model	S51000
Output	1-10v signal
Max. input current	40mA
The number of driver connected to dimmer	30
Switch	10A
Size	83,5x83,5x44mm
Weight	90g
Working temp	-10 C -50 C

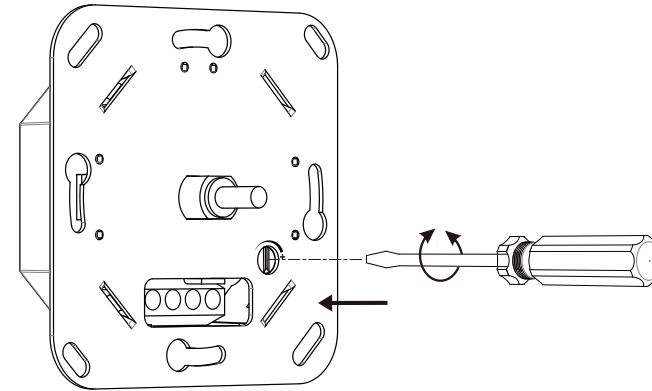
The total amount of input currents must not exceed 40 mA. For example there are 30 1-10V dimming driver (control current 1.3mA). Please use only driver of one manufacturer, type and power.

Installing the dimmer

Wiring the dimmer for the desired application.

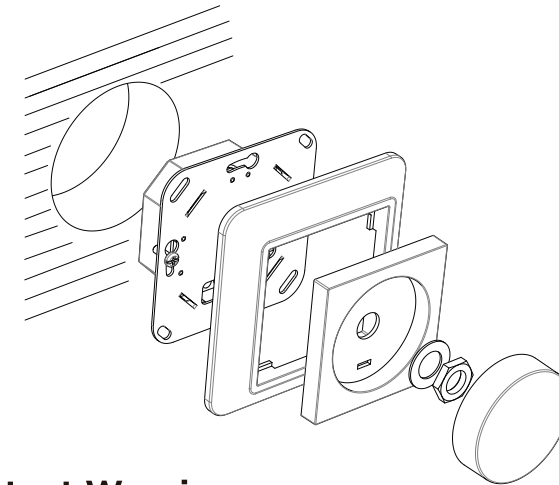


Setting the minimum brightness of the lamps.



- Switch the dimmer on.
- Dim the brightness right down using the rotary knob.
- Set the minimum brightness using the set-screw (+).

Installing the dimmer and covers.



Important Warning

- Disconnect power at the main switchboard before installation
- Two or more dimmers cannot be connected in parallel or series to control the same load
- Ensure that the positive and negative leads of the control line are correctly connected.