

WALLBOX eMH1

WITH CHARGING CABLE

22 kW

The Wallbox eMH1 features a fixed charging cable with Type 2 connector. Thanks to its extremely small dimensions the Wallbox eMH1 is the perfect solution for the efficient charging of electric vehicles. The wallbox is easy to operate and the perfect choice for novice users. The Wallbox comes pre-installed with integrated Type A FI circuit breaker (RCCB) and fault current detection and is ready for connection by the installing technician. The eMH1 complies with highest safety standards and is 'Made in Germany'.



General information

Model	eMH1
Product number	1W2201
EAN number	4011721175393
Commodity code	85371091
Packaging unit (PU)	1 unit
Packaging (dimensions HxWxD)	355 x 330 x 270 mm
Items supplied	Wallbox, printed quick reference guide, installation kit, 2 keys, drilling template

Input / mains supply

External power supply	Max. 5 x 6 mm ²
Rated voltage	230 / 400 V
Rated current	32 A
Rated frequency	50 Hz
Upstream fuse	32 A (required onsite), C characteristic recommended
Terminal blocks	Direct connection to RCCB PE: 6 mm ² feed-through terminal block

Output / vehicle connection

Connection system	Single charging cable with Type 2 connector in acc. with IEC 62196-2, ca. 6.35 m
Output voltage	230 / 400 V
Max. charging current	32 A
Maximum output	22 kW

Protection / integrated components

RCCB	RCCB, type A, 30 mA
DC fault current detection	Electronic, $I_{\Delta n \text{ d.c.}} \geq 6 \text{ mA}$
Load switching	Contactors, 4-pole
Weld detection	Triggered by welding of the contactor
Overcurrent protection	Integrated into firmware, disconnection at 105% after 1000 seconds, at 110% after 100 seconds, at 120% after 10 seconds
Temperature monitoring	Internal, charging current reduction or shut down

Charge monitoring / status indicators

Indication (operating state / fault indication)	LED
Firmware indicator	LED (flashes on start-up)
Communication EV	In acc. with IEC 61851-1 Mode 3
Communication EVSE	RS485

Standards / directives

IEC 61851-21-2
IEC 61851-1 Ed. 3
IEC 60364-7-722 Ed. 1

Operating conditions

Storage temperature	-30 to 85°C
Operating temperature	-25 to 40°C
Relative humidity	5 to 95%, no condensation
Class of protection	I
Overvoltage category	III
Degree of pollution	3
Degree of protection (housing)	IP54
Power dissipation	n/a

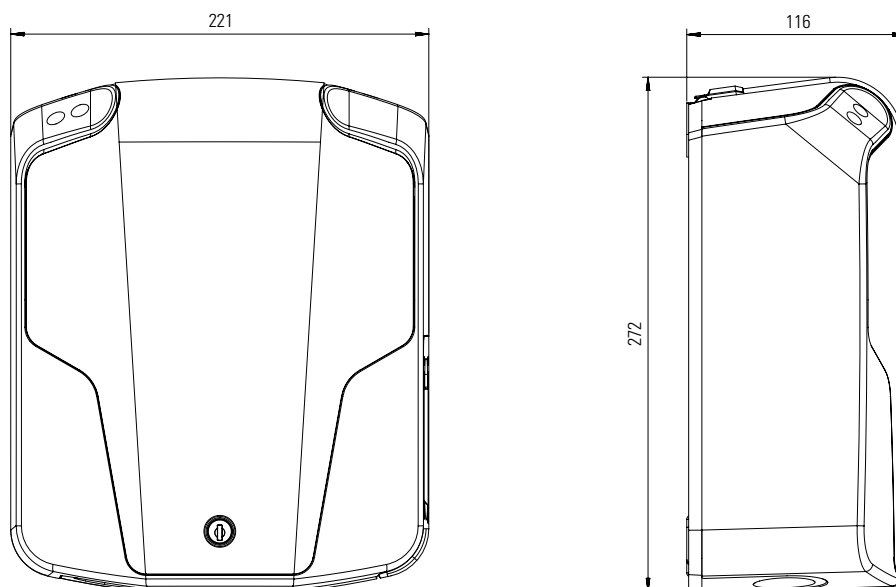
Housing

Type	Wall-mounted housing
Fixing type	Wall bracket (mounting kit provided)
Material (housing / cover)	Plastic
Housing colour	RAL 9005
Cover colour	RAL 9006
Locking mechanism	Lockable cover with integrated lock
Dimensions (HxWxD)	272 x 221 x 116 mm
Weight	Approx. 4.5 kg

Optional accessories

Pole	POLEMH1
Foundation	EMH9999
Weather protection roof	WPR12
Mounting plate with cable storage holder	WHEMH10
Mounting plate with cable storage holder and key switch	1W0001
Cable storage holder with charging plug adapter	CABHOLD
Energy Management System home	eMS home
Cable conversion current transformer for eMS home	eMS CT
Configuration kit	CONF CAB
Multi-purpose installation tester	TE001
Vehicle simulation adapter	TE005
see website at www.ablmobility.de	

Dimensioned drawing



Subject to change: All performance characteristics, technical and other specifications are subject to change without prior notice.