

## Wall mounting socket outlet, chemically resistant - housing dimensions 170x118



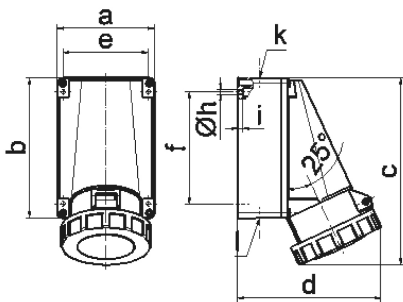
Product description	
BALS-Prd.-Nr	11825
EAN	4024941118255
Product category	TE wall mounting socket outlet
Current	63A
Number of poles	5p
Poles	3p+N+PE
Position of earth contact	6 h
Voltage	200/346 up to 240/415V

Product description	
Frequency	50 and 60Hz
Protection degree	IP67
Colour code	red RAL 3000
Colour of appliance	Bayonet ring lightbeige, Housing top lightbeige, Hinged lid red RAL 3000, Housing bottom lightbeige
Connection design	screw terminal as box terminal with Kontex-contact
Maximum conductor size	25.0 qmm
Cable entry	top entry M40 bottom entry M32
Height	228mm
Width	118mm
Depth	176mm
Dimension of enclosure	170x118 mm (HxW)
Material of enclosure	Polycarbonate+Polyester light - beige
Contact	The contact carrier is made of high temperature resistant material, the contacts are brass nickel plated

Additional technical properties	
	The cable entry is one at top open and two at bottom closed
	Lower part of housing rotatable by 180°

Logistics data	
Weight/pcs	0.949 kg / Piece

Logistics data	
Packaging	Bag
Content amount	1 ST
EAN	4024941118255
Length	176 mm
Width	118 mm
Height	228 mm
Weight	0.95 kg
Volume	4,735.104 ccm
Packaging	Carton
Content amount	5 ST
EAN	4024941820066
Length	345 mm
Width	345 mm
Height	217 mm
Weight	5.08 kg
Volume	24,276 ccm



1 MB 3

Ampere	63	63	63				
Polzahl	3	4	5				
a	118,0	118,0	118,0				
b	170,0	170,0	170,0				
c	228,0	228,0	228,0				
d	176,0	176,0	176,0				
e	104,0	104,0	104,0				
f	136,0	136,0	136,0				
h ø	6,1	6,1	6,1				
i	6,0	6,0	6,0				
k	M40	M40	M40				
l	M32/32	M32/32	M32/32				
Leiter mm <sup>2</sup> min	6	6	6				
Leiter mm <sup>2</sup> max	25	25	25				