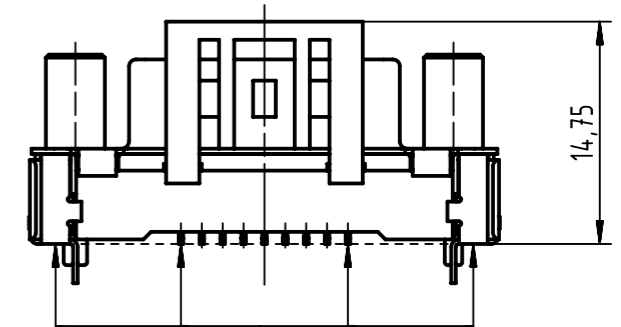
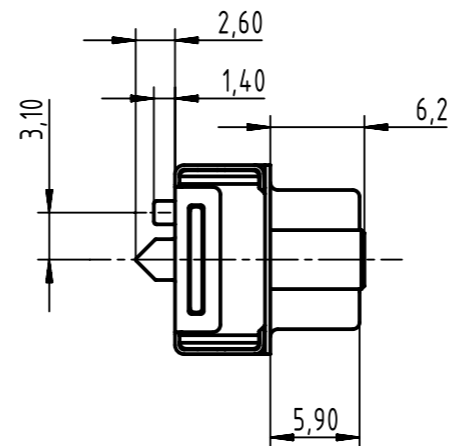
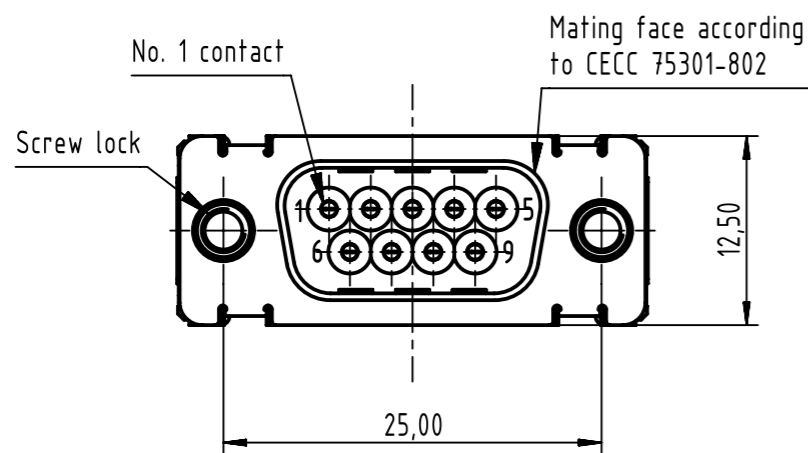
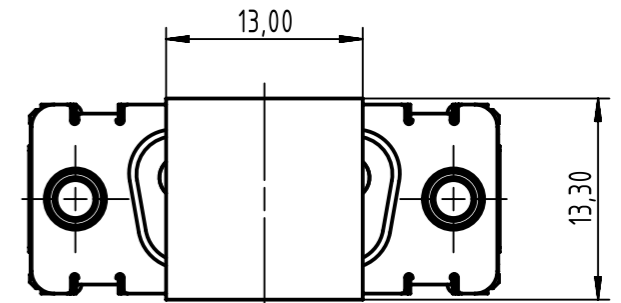


Load vacuum cover

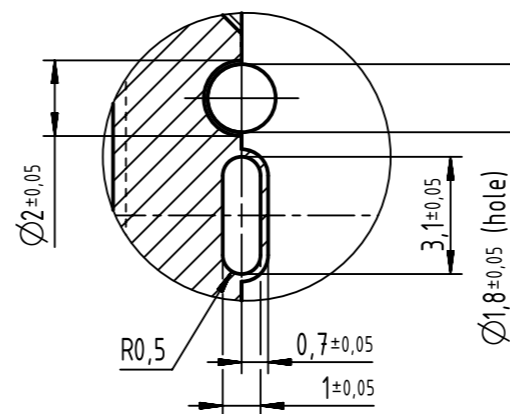


0,10CZ

(All contacts and grounds)

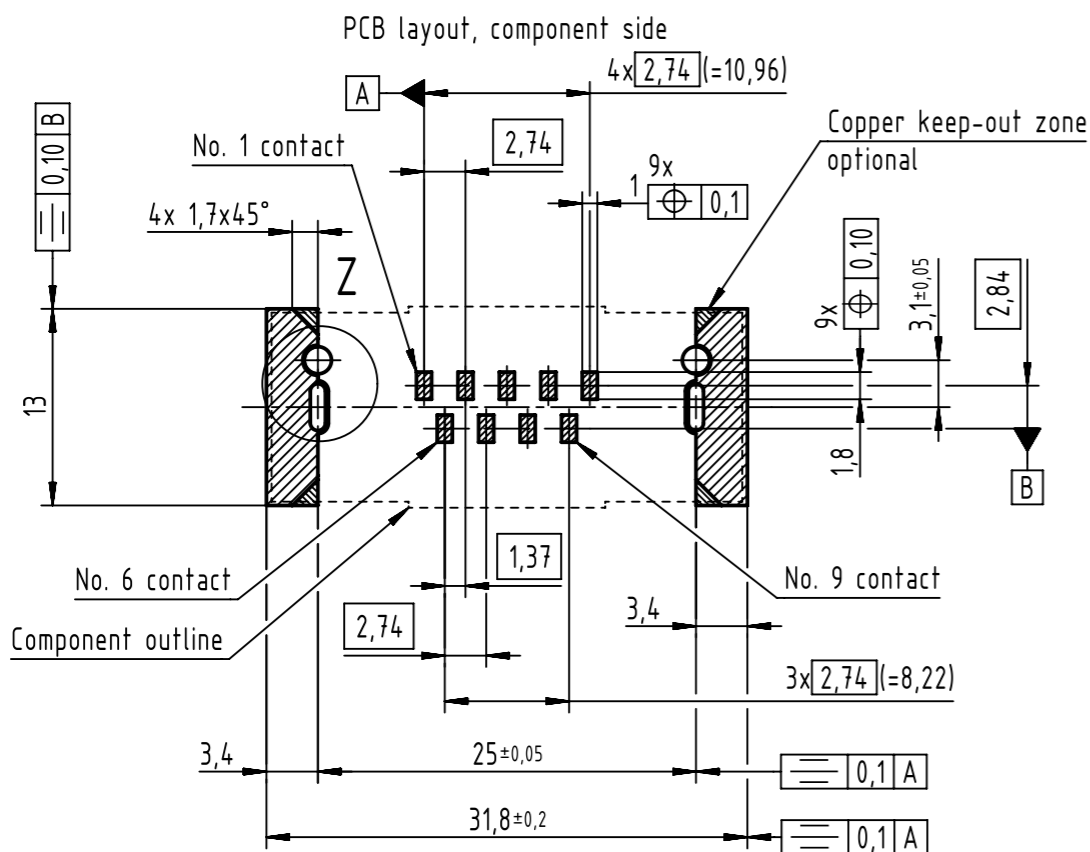


Z (5:1)



Max. Temperature: 260°C during 10 seconds  
Find further technical information on DS 09550200302

0955 169 6822 333	2	4-40 UNC	Black insulator	Samples
0955 169 3821 741	1	M3	Black insulator	Reel packing: 140 connectors
0955 169 3822 741	1	4-40 UNC		
0955 169 6821 741	2	M3		
0955 169 6822 741	2	4-40 UNC		
0955 169 7821 741	3	M3		
0955 169 7822 741	3	4-40 UNC		
Part number	PL	Nut		



	All Dimensions in mm Original Size DIN A3	Scale 2:1	Free size tol.	Ref.
	All rights reserved Department EL PD	Created by ZHUANGJ	Inspected by LUOK	Standardisation HOFFMANN
HARTING Electronics GmbH D-32339 Espelkamp	Title D-Sub str SMT 9-pole male with screwlock & ground pin			Doc-Key / ECM-Nr. 100236621/UGD/001/C 500000139800
	Type TB	Number 0955169X82X	Rev. C	Page 1/1