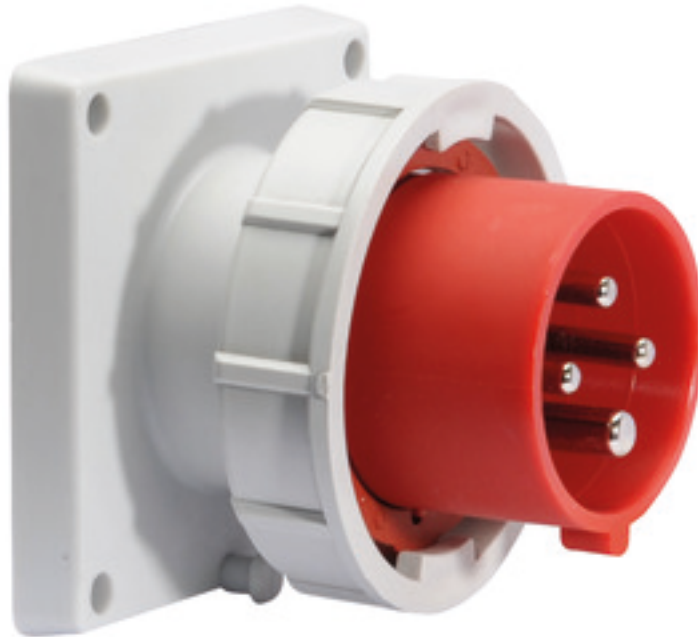


Panel mounting appliance inlet, straight - flange 85x85, fixing centers 70x70

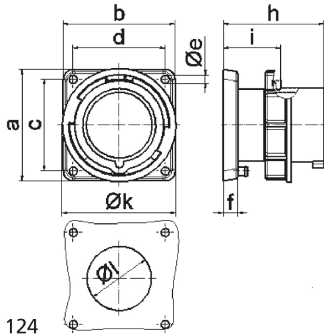


| Product description | |
|---------------------------|--|
| BALS-Prd.-Nr | 28101 |
| EAN | 4024941281010 |
| Product category | Panel mounting appliance inlet, straight |
| Current | 16A |
| Number of poles | 4p |
| Arrangement of phases | 3P+PE |
| Position of earth contact | 6 h |
| Voltage | 380 - 415V~ |

| Product description | |
|--------------------------------|--|
| Frequency | 50/60Hz |
| Protection degree | IP67 |
| Colour code | red RAL 3000 |
| Colour of appliance | Collar red RAL 3000, Bayonet ring grey RAL 7035, Enclosure grey RAL 7035 |
| Connection design | with screw terminal |
| Maximum conductor size | 2,5 qmm |
| Cable entry | other |
| Height | 86mm |
| Width | 85mm |
| Depth | 77mm |
| Flange size vertical in mm | 85mm |
| Flange size horizontal in mm | 85mm |
| Drill hole dist. vertical mm | 70mm |
| Drill hole dist. horizontal mm | 70mm |
| Material of enclosure | Polyamide |
| Contacts | The contact carrier is made of high temperature resistant material, the contacts are brass nickel plated |

| Additional technical properties | |
|---------------------------------|---|
| | A retaining device to match the hinged cover of the connector must be provided to ensure the latching feature |

| Logistics data | |
|----------------|------------------|
| Weight/pcs | 0.199 kg / Piece |
| Packaging | Bag |
| Content amount | 1 ST |
| EAN | 4024941281010 |
| Length | 77 mm |
| Width | 85 mm |
| Height | 86 mm |
| Weight | 0.2 kg |
| Volume | 562.87 ccm |
| Packaging | Carton |
| Content amount | 10 ST |
| EAN | 4024941946452 |
| Length | 245 mm |
| Width | 177 mm |
| Height | 185 mm |
| Weight | 2.123 kg |
| Volume | 7,140 ccm |



5 MB 124

| Ampere | 16 | 16 | 16 | 32 | 32 | 32 |
|----------------------------|------|------|------|------|------|-------|
| Polzahl | 3 | 4 | 5 | 3 | 4 | 5 |
| a | 85,0 | 85,0 | 85,0 | 85,0 | 85,0 | 85,0 |
| b | 85,0 | 85,0 | 85,0 | 85,0 | 85,0 | 85,0 |
| c | 70,0 | 70,0 | 70,0 | 70,0 | 70,0 | 70,0 |
| d | 70,0 | 70,0 | 70,0 | 70,0 | 70,0 | 70,0 |
| e ø | 6,3 | 6,3 | 6,3 | 6,3 | 6,3 | 6,3 |
| f | 11,0 | 11,0 | 11,0 | 11,0 | 11,0 | 11,0 |
| h | 75,5 | 75,0 | 76,5 | 85,0 | 85,0 | 85,0 |
| i | 44,0 | 44,0 | 44,0 | 44,0 | 44,0 | 44,0 |
| k | 70,5 | 78,5 | 86,5 | 94,0 | 94,0 | 101,5 |
| l ø | 49,0 | 49,0 | 49,0 | 49,0 | 49,0 | 49,0 |
| Leiter mm ² min | 1 | 1 | 1 | 2,5 | 2,5 | 2,5 |
| Leiter mm ² max | 2,5 | 2,5 | 2,5 | 6 | 6 | 6 |