

## Wall mounting socket outlet, fused - housing dimensions 225x118, with residual current circuit breaker

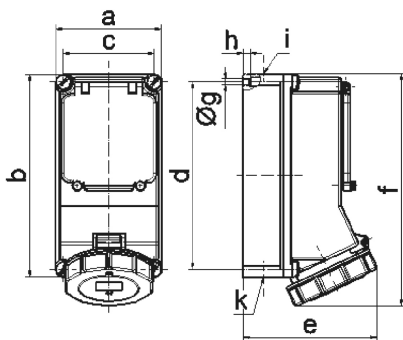


| Product description           |   |
|-------------------------------|---|
| BALS-Prd.-Nr                  | 15078   |
| EAN                           | 4024941150781                                       |
| product category (PG)         | Quick-Connect TE wall mounting socket outlet, fused |
| current (A)                   | 16A   |
| number of poles (P99)         | 5p  |
| number of poles (P)           | 3p+N+PE   |
| position of earth contact (H) | 6 h   |
| voltage (V)                   | 200/346 up to 240/415V                              |

| Product description         |  |
|-----------------------------|--|
| frequency (HZ)              | 50 and 60Hz  |
| protection degree (SA)      | IP67   |
| colour code 1 (KF1)         | red RAL 3000   |
| Colour of appliance         | Operating window smoky topaz, Hinged lid red RAL 3000, Bayonet ring grey RAL 7035, Housing screws grey RAL 7035, Housing bottom grey RAL 7035, Housing top grey RAL 7035 |
| connection design (AT)      | screwless spring terminals as cage clamp with Kontex-contact   |
| maximum conductor size (LQ) | 4,0 qmm  |
| cable entry (KE)            | top entry M25/M25 bottom entry M25   |
| Height                      | 250mm  |
| Width                       | 118mm  |
| Depth                       | 134mm  |
| dimension of enclosure (GG) | 225x118 mm (HxW)   |
| material of enclosure (GM)  | Polycarbonate  |
| contact                     | The contact carrier is made of high temperature resistant material, the contacts are brass nickel plated   |

| Additional technical properties |  |
|---------------------------------|--|
|                                 | The cable entry is one at top open, one at top is closed, and two at bottom are closed |
|                                 | With 4 pole 40/0.03A RCCB  |

| Logistics data |                  |
|----------------|------------------|
| Weight/pcs     | 1.284 kg / Piece |
| Packaging      | Carton           |
| Content amount | 1 ST             |
| EAN            | 4024941150781    |
| Length         | 275 mm           |
| Width          | 175 mm           |
| Height         | 137 mm           |
| Weight         | 1.409 kg         |
| Volume         | 5,737.5 ccm      |



14 MB 12

| Ampere Polzahl | 16<br>4 | 16<br>5 | 32<br>3 | 32<br>4 | 32<br>5 |
|----------------|---------|---------|---------|---------|---------|
| a              | 118,0   | 118,0   | 118,0   | 118,0   | 118,0   |
| b              | 225,0   | 225,0   | 225,0   | 225,0   | 225,0   |
| c              | 101,0   | 101,0   | 101,0   | 101,0   | 101,0   |
| d              | 208,0   | 208,0   | 208,0   | 208,0   | 208,0   |
| e              | 127,0   | 134,0   | 143,0   | 143,0   | 149,0   |
| f              | 245,0   | 245,0   | 255,0   | 255,0   | 255,0   |
| g ø            | 6,5     | 6,5     | 6,5     | 6,5     | 6,5     |
| h              | 8,0     | 8,0     | 8,0     | 8,0     | 8,0     |
| i              | 2 x M25 | 2 x M25 | 2 x M25 | 2 x M25 | 2 x M25 |
| k              | 2 x M25 | 2 x M25 | 2 x M25 | 2 x M25 | 2 x M25 |