

## Wall mounting socket outlet, chemically resistant - housing dimensions 225x118



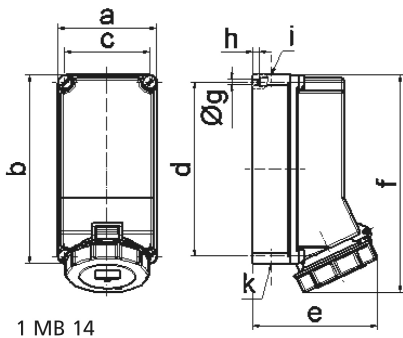
Product description	
BALS-Prd.-Nr	110014
EAN	4024941070010
product category (PG)	TE wall mounting socket outlet Quick-Connect
current (A)	32A
number of poles (P99)	3p
number of poles (P)	2P+PE
position of earth contact (H)	6 h
voltage (V)	200 up to 250V

Product description	
frequency (HZ)	50 and 60Hz
protection degree (SA)	IP67
colour code 1 (KF1)	blue RAL 5015
Colour of appliance	Bayonet ring lightbeige, Housing top lightbeige, Housing bottom lightbeige, Hinged lid blue RAL 5015, Housing screws lightbeige
connection design (AT)	screwless spring terminals as cage clamp with Kontex-contact
maximum conductor size (LQ)	10,0 qmm
cable entry (KE)	top entry M25/M25 bottom entry M25
Height	260mm
Width	118mm
Depth	144mm
dimension of enclosure (GG)	225x118 mm (HxW)
material of enclosure (GM)	Polycarbonate+Polyester light - beige
contact	The contact carrier is made of high temperature resistant material, the contacts are brass nickel plated

Additional technical properties	
	The cable entry is one at top open, one at top is closed, and two at bottom are closed

Logistics data	
Weight/pcs	0.355 kg / Piece
Packaging	Carton

Logistics data	
Content amount	1 ST
EAN	4024941070010
Length	275 mm
Width	175 mm
Height	137 mm
Weight	0.48 kg
Volume	5,737.5 ccm



Ampere Polzahl	32 3	32 4	32 5			
a	118,0	118,0	118,0			
b	225,0	225,0	225,0			
c	101,0	101,0	101,0			
d	208,0	208,0	208,0			
e	143,0	143,0	149,0			
f	255,0	255,0	255,0			
g Ø	6,5	6,5	6,5			
h	8,0	8,0	8,0			
i	2xM25	2xM25	2xM25			
k	2xM25	2xM25	2xM25			
Leiter mm <sup>2</sup> min	2,5	2,5	2,5			
Leiter mm <sup>2</sup> max	10	10	10			