

ALED Casco



Produkt information

Casco linearmodulet er designet og udviklet af A LED til at være et alsidigt produkt i høj kvalitet, der kan bruges i stort set alle former for industri og haller. Casco er yderst effektiv og har med sin specialudviklede optik en meget lav blænding. Armaturet er hurtigt at montere enten direkte på loftet, i wire, på gennemgående wire eller med vores speciallavede beslag til montering på skrå lofter. Både driver og LED kan hurtigt udskiftes.

Features

- * Easy replacement of LED module and driver
- * Very uniform light distribution
- * Very low UGR >18 * L90 lifetime 50K hours (Ta 25°C)
- * L80 lifetime 100K hours (Ta 25°C)
- * Push-in terminal, 5x2.5mm²
- * LED module efficiency > 160lm/W
- * Anodized aluminum heat radiator



Product data

General Information	
Light source type	LED
Number of LED module	1 pcs
Beam angle of LED module	90°
Color temperature	4000K neutral white
CRI	80
LED module replaceable	Yes, only by professionals
Number of LED driver	1 unit
Driver included	Yes
Driver replaceable	Yes, only by professionals
L90 lifetime of LED module	50,000 hrs
L80 lifetime of LED module	100,000 hrs
LED module lumen	11600 lm
Operating and Electrical	
Input Voltage	220-240 Vac
Input frequency	50 to 60 Hz
System wattage	75 W
Power factor	0.98
Surge protection	2 kV (L/N-Ground)
Ambient temperature range	-20°C to +40°C
Performance ambient temperature Tq	+25°C

SDCM	3 steps
Optical type	Lens
Control and dimming	On/off or DALI
Connection type	5 pole connector
Protection class IEC	Safety class I
Glow-wire test	650°C, 30 s
UGR	>18
PstLM	< 1
SVM	< 0.4
CE Mark	Yes
EU RoHS compliant	Yes
Net weight (piece)	3.2 Kg
Dimension	
Overall length	1545 mm
Overall width	80 mm
Overall height	60.5 mm
Mechanical and Housing	
Housing material	Zinc coated steel
Optical material	PC
Housing color	Silver
Heatsink material	Aluminum
Ingress protection code	IP 23
Mech. impact protection code	IK 10
Remarks	
LED driver failure rate at 50,000hrs	5 %
Power consumption tolerance	± 7 %

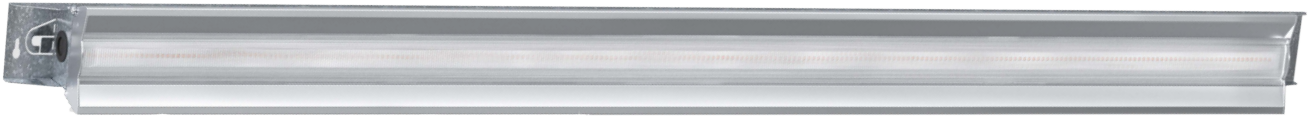


Specifications

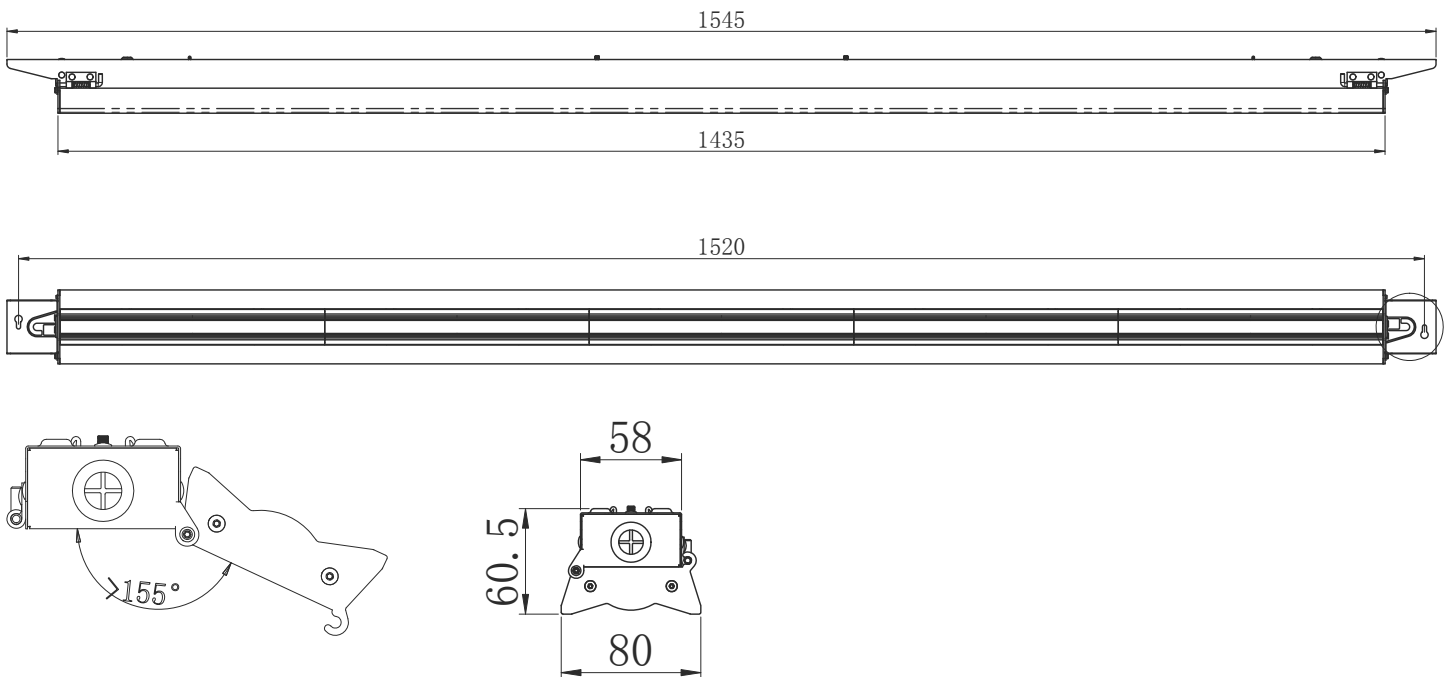
EAN Code	LED Module Wattage*	Length mm	Width mm	Height mm	CCT (Kelvin)*	Rated Flux (Lm) *	CRI (Ra)*	Beam angle*	Energy Class	Dimming technology
Casco DALI										
5701031701007	70	1554	80	60.5	4000	11600	80	90°	C	DALI2
Casco Non-dimmable										
5701031702004	70	1554	80	60.5	4000	11600	80	90°	C	NO

* Due to the special conditions of the manufacturing processes of LED, the typical data of technical parameters can only reflect statistical figures and do not necessarily correspond to the actual parameters of each single product which could differ from the typical value. A max 10% tolerance is deemed to be acceptable in any case.
 * 38D version also available upon request.

Product pictures



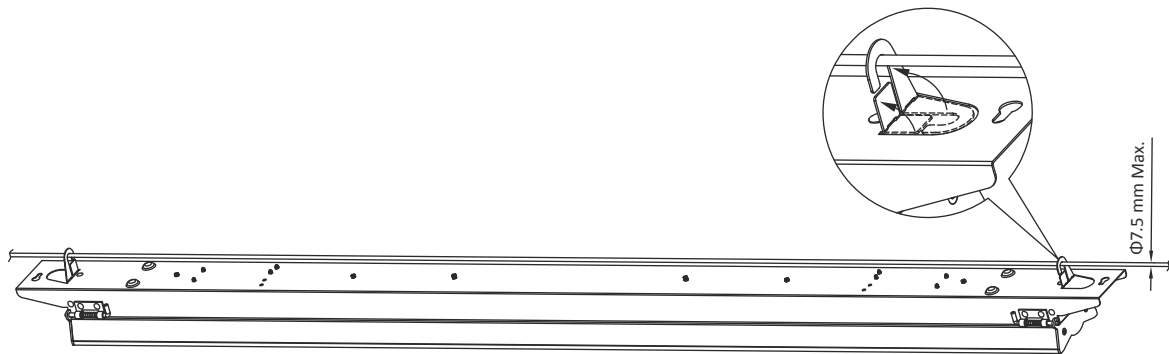
Dimension drawings



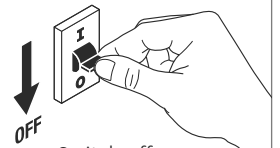
Max load on breaker

Type of electrical protection installation	Maximum number of luminaires to install	
	Casco 75W DALI	Casco 75W Non-dimmable
MCB16A	B TYPE	15
	C TYPE	25
Inrush Current (230VAC) / Leak current	34A, 350µs / 0,2mA	30.9A, 220µs / 0,2mA
Surge transient protection acc to. EN 61547 Clause 5.7	LN/PE 2KV, L/N 1KV	LN/PE 2KV, L/N 1KV

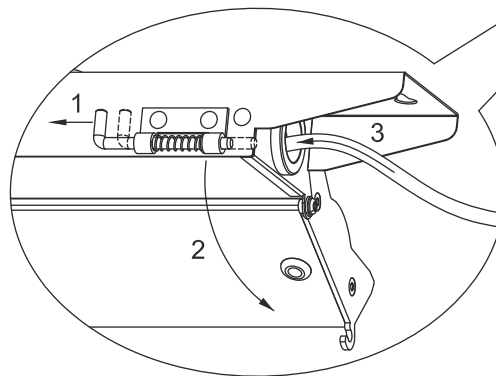
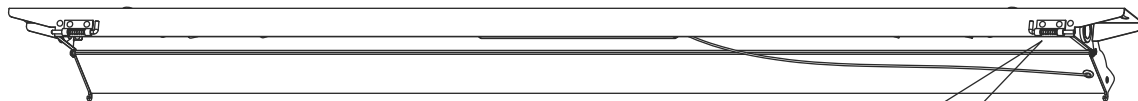
Suspended installation



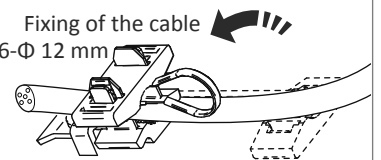
1



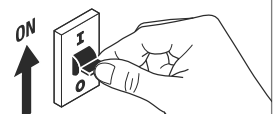
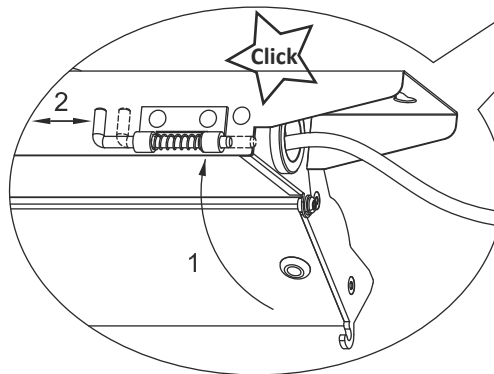
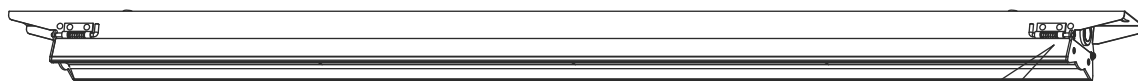
Switch off power before installation !



Fixing of the cable
 $\Phi 6$ - $\Phi 12$ mm



2



Switch on power to test !

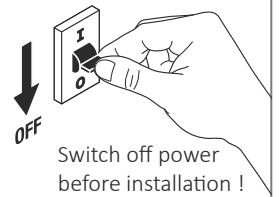
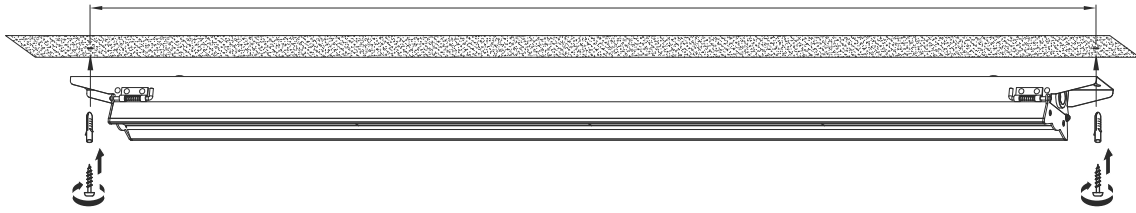
3

Surface mounted installation

Screws not included !

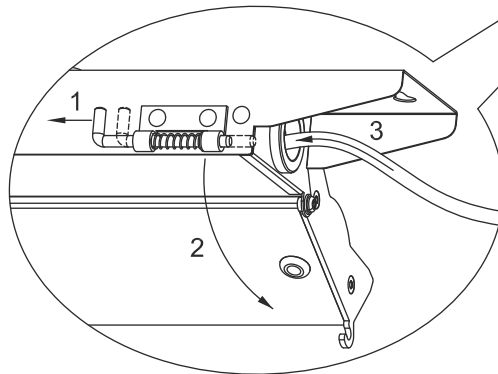
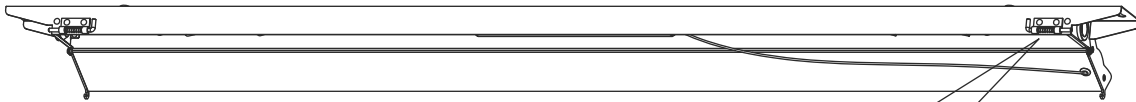
Distance of installation holes: 1520 mm

1

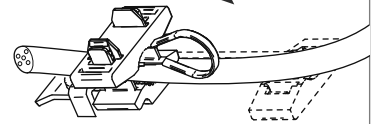


Switch off power before installation !

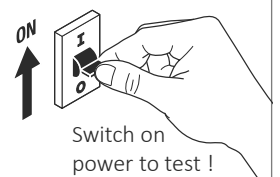
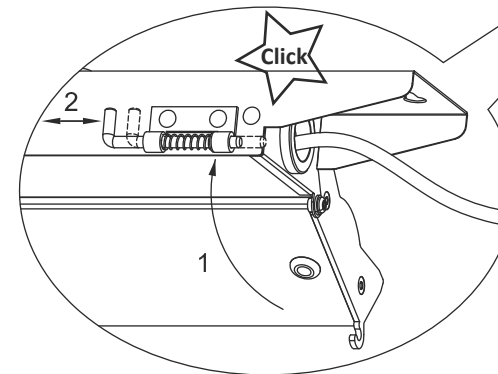
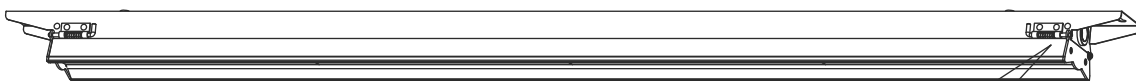
2



Fixing of the cable

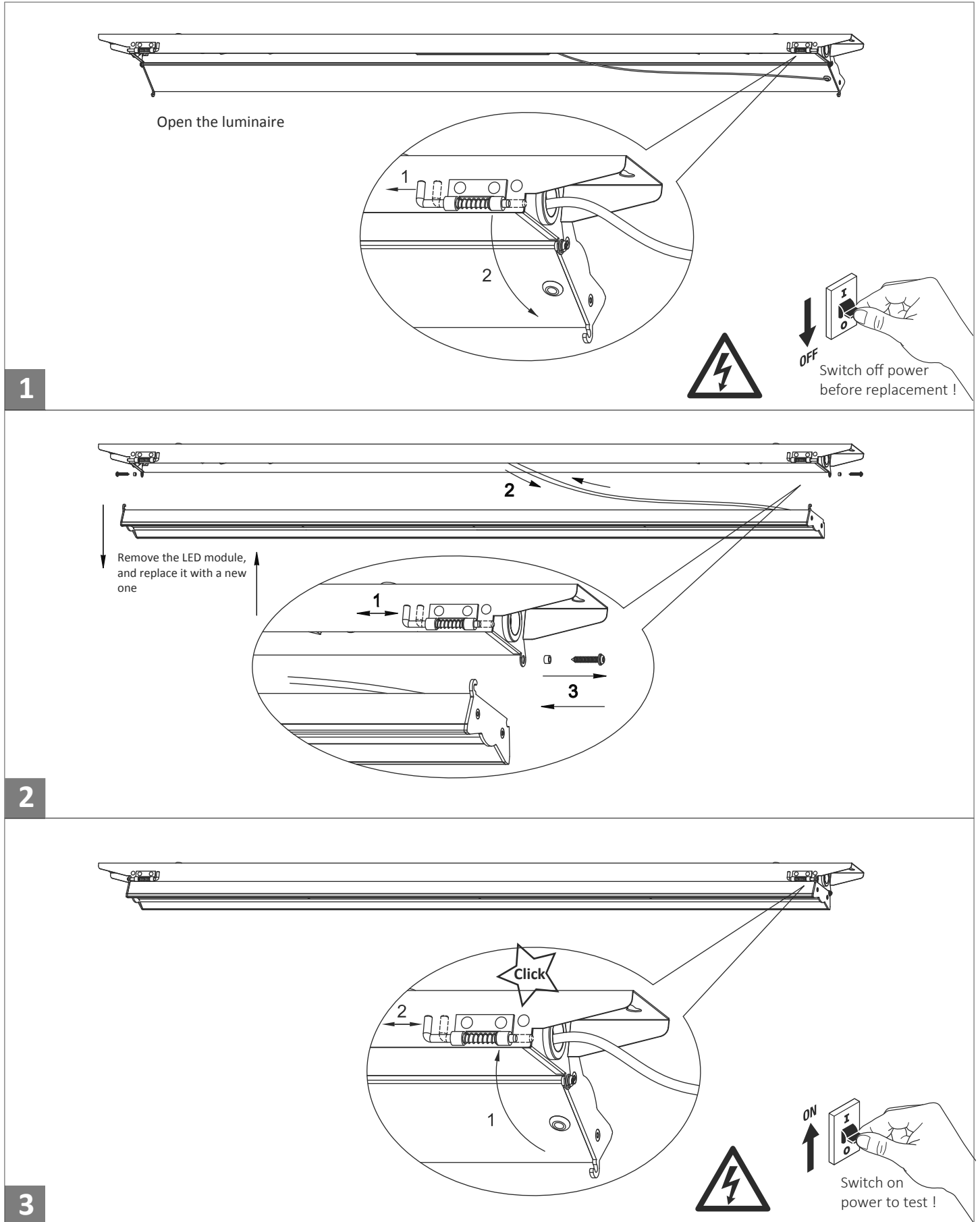


3



Switch on power to test !

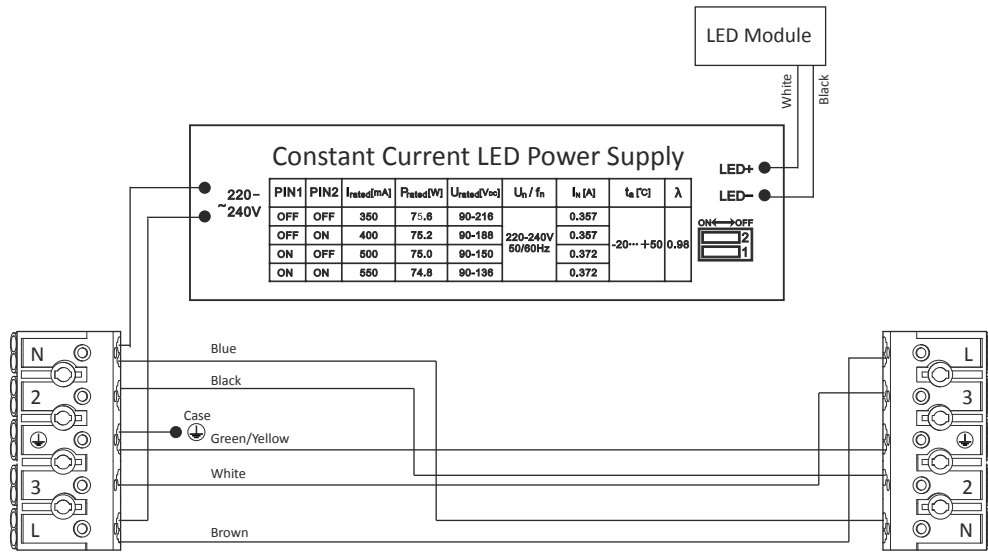
Replacement of LED module



Wiring diagram

Casco IP23 Non-dimmable Edition

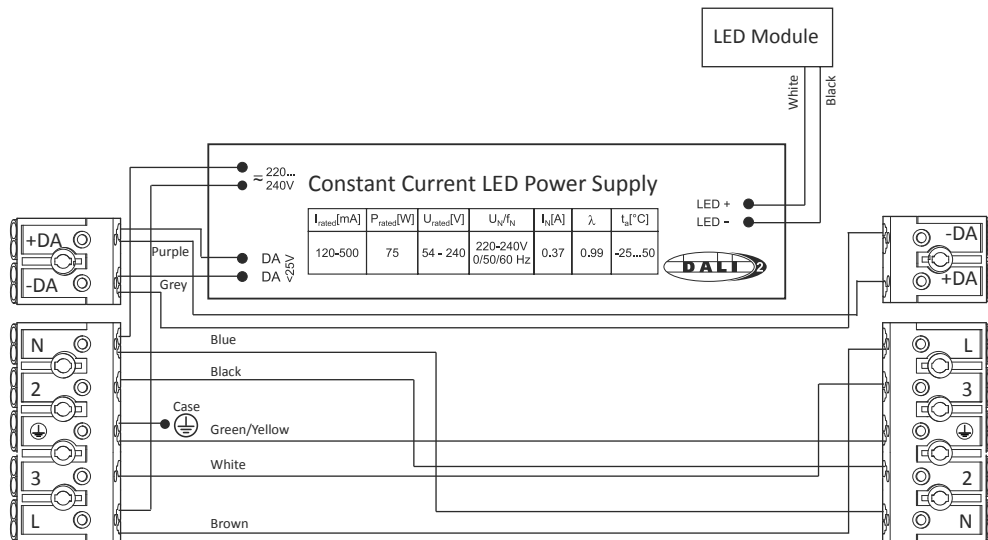
Mains terminal
Min. 5x0,75mm²
Max. 5x2,5mm²



Casco IP23 DALI Edition

Mains terminal
Min. 5x0,75mm²
Max. 5x2,5mm²

DALI terminal
Min. 2x0,75mm²
Max. 2x2,5mm²



Luminaire

Code Casco IP23 50W
Name Casco IP23 50W

Measurement

Code Casco IP23 50W
Name Casco IP23 50W

Luminaire Flux	8047 lm	Luminaire Power	51.4 W	Efficacy	156.548 lm/W	Efficiency	100.00%
Source Flux	8047 lm	Maximum value	483.47 cd/klm	Position	C=0.00 G=0.00	CG	Asymmetrical

UGR
S = 1.000

Reflectancies										
Ceiling/Cavity	0.7	0.7	0.5	0.5	0.3	0.7	0.7	0.5	0.5	0.3
Walls	0.5	0.3	0.5	0.3	0.3	0.5	0.3	0.5	0.3	0.3
Working Plane	0.2	0.2	0.2	0.2	0.2	0.2	0.2	0.2	0.2	0.2
Room Dimensions	Lateral View					Viewed Endwise				
x=2H y=2H	6.7	7.9	7.0	8.1	8.3	12.9	14.1	13.2	14.3	14.5
x=2H y=3H	6.9	7.9	7.2	8.2	8.4	14.5	15.5	14.8	15.7	16.0
x=2H y=4H	6.9	7.8	7.2	8.1	8.4	14.9	15.8	15.2	16.1	16.4
x=2H y=6H	6.8	7.7	7.2	8.0	8.3	15.1	16.0	15.5	16.3	16.6
x=2H y=8H	6.8	7.6	7.1	7.9	8.2	15.2	16.0	15.6	16.4	16.7
x=2H y=12H	6.7	7.5	7.1	7.8	8.2	15.2	16.0	15.6	16.3	16.7
x=4H y=2H	7.4	8.3	7.7	8.6	8.8	12.8	13.8	13.2	14.0	14.3
x=4H y=3H	7.6	8.4	8.0	8.7	9.0	14.4	15.2	14.8	15.5	15.9
x=4H y=4H	7.6	8.3	8.0	8.6	9.0	14.9	15.6	15.3	16.0	16.3
x=4H y=6H	7.5	8.1	7.9	8.5	8.9	15.2	15.9	15.7	16.2	16.6
x=4H y=8H	7.5	8.0	7.9	8.4	8.9	15.4	15.9	15.8	16.3	16.7
x=4H y=12H	7.5	8.0	7.9	8.4	8.8	15.4	15.9	15.8	16.3	16.7
x=8H y=4H	7.8	8.3	8.2	8.7	9.1	14.8	15.4	15.3	15.8	16.2
x=8H y=6H	7.7	8.1	8.1	8.6	9.0	15.2	15.6	15.6	16.0	16.5
x=8H y=8H	7.6	8.0	8.1	8.5	9.0	15.3	15.7	15.8	16.1	16.6
x=8H y=12H	7.6	7.9	8.1	8.4	8.9	15.3	15.7	15.8	16.1	16.6
x=12H y=4H	7.7	8.2	8.2	8.6	9.1	14.8	15.3	15.3	15.7	16.1
x=12H y=6H	7.7	8.0	8.1	8.5	9.0	15.1	15.5	15.6	16.0	16.4
x=12H y=8H	7.6	8.0	8.1	8.4	8.9	15.2	15.6	15.7	16.0	16.6
Variations										
S = 1.0H	0.7 / -3.8					0.6 / -1.8				
S = 1.5H	1.4 / -9.9					1.2 / -3.7				
S = 2.0H	1.9 / -22.2					1.8 / -4.5				

Luminaire

Code Casco IP23 60W
Name Casco IP23 60W

Measurement

Code Casco IP23 60W
Name Casco IP23 60W

Luminaire Flux	8984 lm	Luminaire Power	59.2 W	Efficacy	151.760 lm/W	Efficiency	99.86%
Source Flux	8997 lm	Maximum value	483.99 cd/klm	Position	C=0.00 G=0.00	CG	Asymmetrical

UGR
S = 1.000

Reflectancies										
Ceiling/Cavity	0.7	0.7	0.5	0.5	0.3	0.7	0.7	0.5	0.5	0.3
Walls	0.5	0.3	0.5	0.3	0.3	0.5	0.3	0.5	0.3	0.3
Working Plane	0.2	0.2	0.2	0.2	0.2	0.2	0.2	0.2	0.2	0.2
Room Dimensions	Lateral View					Viewed Endwise				
x=2H y=2H	7.2	8.3	7.5	8.5	8.8	13.3	14.4	13.6	14.6	14.9
x=2H y=3H	7.4	8.4	7.7	8.6	8.9	14.8	15.9	15.2	16.1	16.4
x=2H y=4H	7.4	8.3	7.7	8.6	8.8	15.3	16.2	15.6	16.5	16.8
x=2H y=6H	7.3	8.2	7.6	8.5	8.8	15.5	16.4	15.9	16.7	17.0
x=2H y=8H	7.2	8.1	7.6	8.4	8.7	15.6	16.4	15.9	16.7	17.0
x=2H y=12H	7.2	8.0	7.6	8.3	8.6	15.6	16.4	16.0	16.7	17.0
x=4H y=2H	7.8	8.7	8.1	9.0	9.3	13.2	14.1	13.5	14.4	14.7
x=4H y=3H	8.1	8.9	8.4	9.2	9.5	14.8	15.6	15.2	15.9	16.3
x=4H y=4H	8.1	8.8	8.5	9.1	9.5	15.3	16.0	15.7	16.4	16.7
x=4H y=6H	8.0	8.6	8.4	9.0	9.4	15.6	16.2	16.1	16.6	17.0
x=4H y=8H	8.0	8.5	8.4	8.9	9.3	15.7	16.3	16.2	16.7	17.1
x=4H y=12H	7.9	8.4	8.4	8.8	9.3	15.8	16.3	16.2	16.7	17.1
x=8H y=4H	8.2	8.8	8.6	9.2	9.6	15.2	15.8	15.7	16.2	16.6
x=8H y=6H	8.1	8.6	8.6	9.0	9.5	15.5	16.0	16.0	16.4	16.9
x=8H y=8H	8.1	8.5	8.6	8.9	9.4	15.7	16.1	16.1	16.5	17.0
x=8H y=12H	8.1	8.4	8.6	8.9	9.4	15.7	16.0	16.2	16.5	17.0
x=12H y=4H	8.2	8.7	8.7	9.1	9.5	15.2	15.7	15.6	16.1	16.5
x=12H y=6H	8.1	8.5	8.6	9.0	9.4	15.5	15.9	16.0	16.4	16.8
x=12H y=8H	8.1	8.4	8.6	8.9	9.4	15.6	16.0	16.1	16.4	16.9
Variations										
S = 1.0H	0.7 / -3.7					0.6 / -1.8				
S = 1.5H	1.4 / -9.3					1.2 / -3.7				
S = 2.0H	1.9 / -16.3					1.7 / -4.4				

Luminaire

Code Caso IP23 75W
Name Caso IP23 75W

Measurement

Code Caso IP23 75W
Name Caso IP23 75W

Luminaire Flux	11208 lm	Luminaire Power	74.8 W	Efficacy	149.837 lm/W	Efficiency	99.96%
Source Flux	11212 lm	Maximum value	483.39 cd/klm	Position	C=0.00 G=0.00	CG	Asymmetrical

UGR
S = 1.000

Reflectancies										
Ceiling/Cavity	0.7	0.7	0.5	0.5	0.3	0.7	0.7	0.5	0.5	0.3
Walls	0.5	0.3	0.5	0.3	0.3	0.5	0.3	0.5	0.3	0.3
Working Plane	0.2	0.2	0.2	0.2	0.2	0.2	0.2	0.2	0.2	0.2
Room Dimensions	Lateral View					Viewed Endwise				
x=2H y=2H	7.9	9.0	8.1	9.2	9.4	14.1	15.2	14.4	15.4	15.7
x=2H y=3H	8.0	9.0	8.3	9.3	9.6	15.6	16.6	15.9	16.9	17.2
x=2H y=4H	8.0	9.0	8.3	9.2	9.5	16.0	17.0	16.4	17.3	17.5
x=2H y=6H	7.9	8.8	8.3	9.1	9.4	16.3	17.2	16.6	17.4	17.8
x=2H y=8H	7.9	8.7	8.3	9.0	9.4	16.4	17.2	16.7	17.5	17.8
x=2H y=12H	7.9	8.7	8.2	9.0	9.3	16.4	17.2	16.8	17.5	17.8
x=4H y=2H	8.5	9.4	8.8	9.7	10.0	14.0	14.9	14.3	15.2	15.5
x=4H y=3H	8.7	9.5	9.1	9.8	10.2	15.6	16.4	16.0	16.7	17.1
x=4H y=4H	8.7	9.4	9.1	9.8	10.1	16.1	16.8	16.5	17.1	17.5
x=4H y=6H	8.6	9.3	9.1	9.6	10.0	16.4	17.0	16.8	17.4	17.8
x=4H y=8H	8.6	9.2	9.1	9.6	10.0	16.5	17.0	16.9	17.4	17.9
x=4H y=12H	8.6	9.1	9.0	9.5	9.9	16.6	17.0	17.0	17.5	17.9
x=8H y=4H	8.9	9.4	9.3	9.8	10.2	16.0	16.5	16.4	16.9	17.4
x=8H y=6H	8.8	9.2	9.3	9.7	10.1	16.3	16.8	16.8	17.2	17.7
x=8H y=8H	8.8	9.1	9.2	9.6	10.1	16.4	16.8	16.9	17.3	17.7
x=8H y=12H	8.7	9.1	9.2	9.5	10.0	16.5	16.8	17.0	17.3	17.8
x=12H y=4H	8.9	9.4	9.3	9.8	10.2	16.0	16.4	16.4	16.9	17.3
x=12H y=6H	8.8	9.2	9.3	9.6	10.1	16.3	16.7	16.8	17.1	17.6
x=12H y=8H	8.8	9.1	9.2	9.5	10.1	16.4	16.7	16.9	17.2	17.7
Variations										
S = 1.0H	0.7 / -3.6					0.5 / -1.7				
S = 1.5H	1.4 / -8.6					1.1 / -3.5				
S = 2.0H	1.8 / -13.3					1.7 / -4.3				